

Message Implementation Guideline

Brose DESADV

based on

DESADV

Despatch advice message

UN D.07A S3

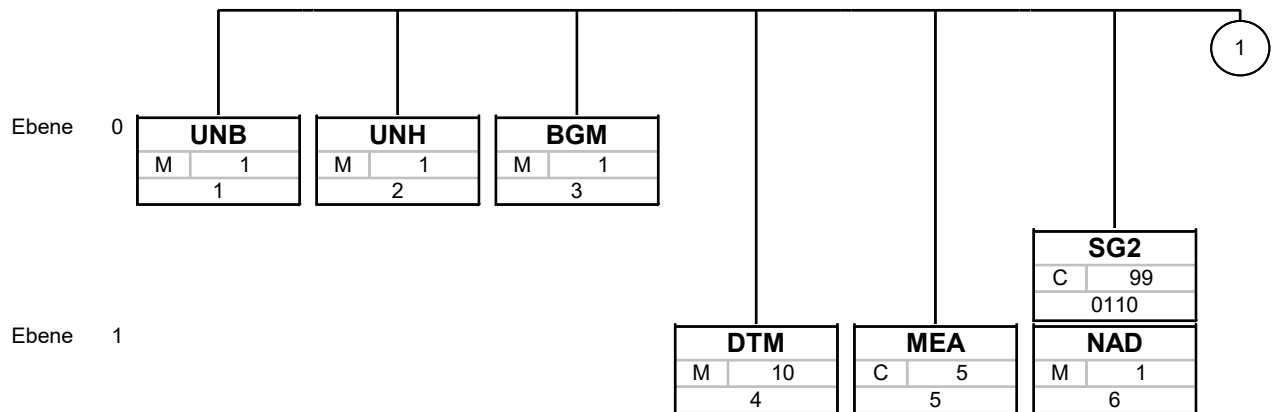
Version:	0.1
Variant:	3
Issue date:	10.09.2009
Author:	Brose

Structure / Table of Contents

No	Tag	St	MaxOcc	Level	Content
1	UNB	M	1	0	Interchange header
2	UNH	M	1	0	Message header
3	BGM	M	1	0	Beginning of message
4	DTM	M	10	1	Date/time/period
5	MEA	C	5	1	Measurements
	SG2	C	99	1	NAD
6	NAD	M	1	1	Name and address
	SG6	C	10	1	TDT
7	TDT	C	1	1	Transport information
	SG10	C	9999	1	CPS-SG11-SG17
8	CPS	M	1	1	Consignment packing sequence
	SG11	C	9999	2	PAC-QTY-SG13
9	PAC	M	1	2	Package
10	QTY	C	10	3	Quantity
	SG13	M	1000	3	PCI-RFF-SG14
11	PCI	M	1	3	Package identification
12	RFF	C	1	4	Reference
	SG14	C	99	4	GIR
13	GIR	M	1	4	Related identification numbers
	SG17	C	9999	2	LIN-PIA-QTY-SG18-SG20
14	LIN	M	1	2	Line item
15	PIA	C	1	3	Additional product id
16	QTY	C	10	3	Quantity
	SG18	R	99	3	RFF
17	RFF	M	1	3	Reference
	SG20	C	100	3	LOC
18	LOC	M	1	3	Place/location identification
19	UNT	Man	1	0	Message trailer
20	UNZ	M	1	0	Interchange trailer

No = Consecutive segment number, MaxOcc = Maximum occurrence of the segment/group
 St = Status, EDIFACT: M=Mandatory, C=Conditional
 User specific: R=Required, O=Optional, D=Dependent, A=Advised, N=Not used

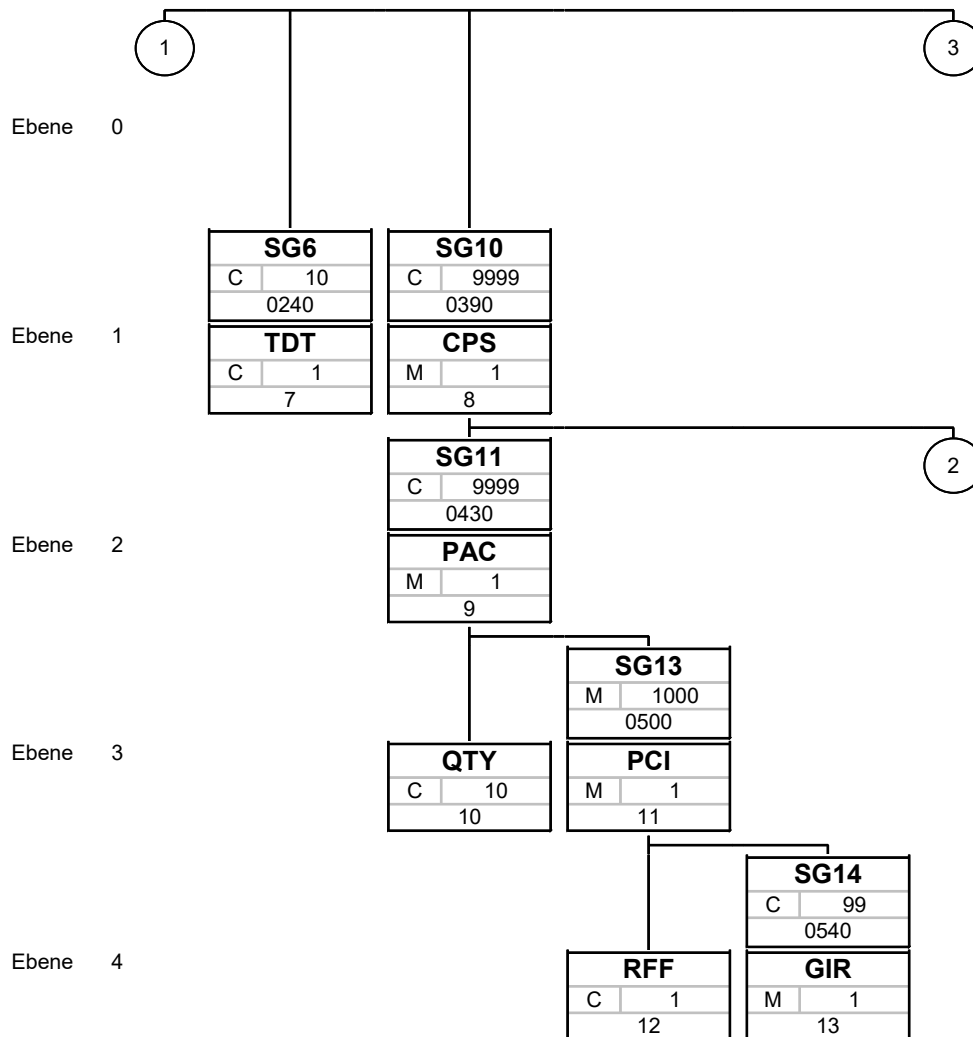
Branching Diagram of Used Segments/Groups



Bez
St MaxWdh
Nr

Tag = Segment/Group Tag
 St = Status (M=Mandatory, C=Conditional, R=Required, O=Optional, A=Advised, D=Dependent)
 MaxOcc = Maximum occurrence of the segment/group
 No = Consecutive segment number

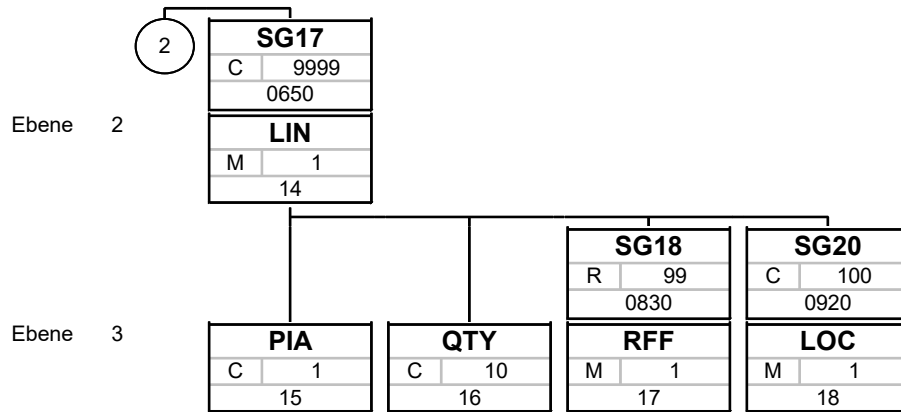
Branching Diagram of Used Segments/Groups



Bez
St MaxWdh
Nr

Tag = Segment/Group Tag
 St = Status (M=Mandatory, C=Conditional, R=Required, O=Optional, A=Advised, D=Dependent)
 MaxOcc = Maximum occurrence of the segment/group
 No = Consecutive segment number

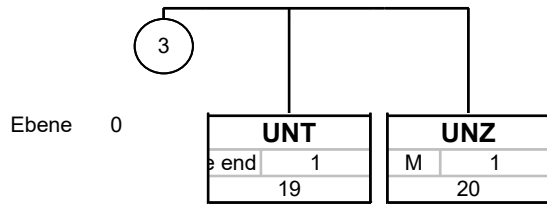
Branching Diagram of Used Segments/Groups



Bez
St MaxWdh
Nr

Tag = Segment/Group Tag
 St = Status (M=Mandatory, C=Conditional, R=Required, O=Optional, A=Advised, D=Dependent)
 MaxOcc = Maximum occurrence of the segment/group
 No = Consecutive segment number

Branching Diagram of Used Segments/Groups



Bez
St MaxWdh
Nr

Tag = Segment/Group Tag
 St = Status (M=Mandatory, C=Conditional, R=Required, O=Optional, A=Advised, D=Dependent)
 MaxOcc = Maximum occurrence of the segment/group
 No = Consecutive segment number

Segments

No	Tag	St	MaxOcc	Level	Name
----	-----	----	--------	-------	------

1	UNB	M	1	0	Interchange header
---	------------	---	---	---	--------------------

Standard			Implementation	
Tag	Name	St Format	St Format	Usage / Remark
UNB				
S001	Syntax identifier	M	M	
0001	Syntax identifier	M a4	M a4	UNOA;
0002	Syntax version number	M n1	M n1	2; Indication of the syntax version used for this message
S002	Interchange sender	M	M	
0004	Sender identification	M an..35	M an..35	Communication code/mailbox number (VAN) of the party originating the message
0007	Partner identification code qualifier	C an..4	C an..4	01; Qualifier If required by the supplier
0008	Address for reverse routing	C an..14	N	Not used
S003	Interchange recipient	M	M	
0010	Recipient identification	M an..35	M an..35	Communication code/mailbox (VAN) number of the party receiving the message
0007	Partner identification code qualifier	C an..4	C an..4	ZZ;Brose qualifier Brose Qualifier - ZZ
0014	Routing address	C an..14	N	Not used
S004	Date/time of preparation	M	M	
0017	Date of preparation	M n6	M n6	YYMMDD format
0019	Time of preparation	M n4	M n4	HHMM format
0020	Interchange control reference	M an..14	M an..14	Value must be the same as 0020 - Interchange control reference in UNZ
S005	Recipient's reference, password	C	N	
0022	Recipient's reference/password	M an..14	N	Not used
0025	Recipient's reference/password qualifier	C an2	N	Not used
0026	Application reference	C an..14	N	Not used
0029	Processing priority code	C a1	N	Not used
0031	Acknowledgement request	C n1	N	Not used
0032	Communications agreement ID	C an..35	N	Not used
0035	Test indicator	C n1	N	Not used

Remark:

Example:

UNB+UNOA:2+SUPPLIER:01+BROSEKG:ZZ+090828:1601+00239'

No = Consecutive segment number
 MaxOcc = Maximum occurrence of the segment/group
 St = Status, EDIFACT: M=Mandatory, C=Conditional
 User specific: R=Required, O=Optional, D=Dependent, A=Advised, N=Not used

Segments

No	Tag	St	MaxOcc	Level	Name
2	UNH	M	1	0	Message header

Standard			Implementation	
Tag	Name	St Format	St Format	Usage / Remark
UNH				
0062	Message reference number	M an..14	M an..14	Value must be the same as 0062 - Message reference Number in UNT
S009	Message identifier	M	M	
0065	Message type	M an..6	M an..6	DESADV Despatch advice message
0052	Message version number	M an..3	M an..3	D Draft version/UN/EDIFACT Directory
0054	Message release number	M an..3	M an..3	07A Release 2007 - A
0051	Controlling agency	M an..2	M an..2	UN UN/CEFACT
0057	Association assigned code	C an..6	N	Not used
0068	Common access reference	C an..35	N	Not used
S010	Status of the transfer	C	N	
0070	Sequence of transfers	M n..2	N	Not used
0073	First and last transfer	C a1	N	Not used

Remark:

Example:

UNH+00052+DESADV:D:07A:UN'

No = Consecutive segment number
 MaxOcc = Maximum occurrence of the segment/group
 St = Status, EDIFACT: M=Mandatory, C=Conditional
 User specific: R=Required, O=Optional, D=Dependent, A=Advised, N=Not used

Segments

No	Tag	St	MaxOcc	Level	Name
----	-----	----	--------	-------	------

3	BGM	M	1	0	Beginning of message
---	------------	---	---	---	----------------------

		Standard	Implementation	
Tag	Name	St Format	St Format	Usage / Remark
BGM				
C002	Document/message name	C	C	
1001	Document name code	C an..3	M an..3	700 Waybill
1131	Code list identification code	C an..17	N	Not used
3055	Code list responsible agency code	C an..3	N	Not used
1000	Document name	C an..35	N	Not used
C106	Document/message identification	C	C	
1004	Document identifier	C an..35	M an..35	Unique number / bill of lading
1056	Version identifier	C an..9	N	Not used
1060	Revision identifier	C an..6	N	Not used
1225	Message function code	C an..3	N	Not used
4343	Response type code	C an..3	N	Not used

Remark:

Marked the beginning of an waybill

Example:

BGM+700+1234567'

No = Consecutive segment number

MaxOcc = Maximum occurrence of the segment/group

St = Status, EDIFACT: M=Mandatory, C=Conditional

User specific: R=Required, O=Optional, D=Dependent, A=Advised, N=Not used

Segments

No	Tag	St	MaxOcc	Level	Name
----	-----	----	--------	-------	------

4	DTM	M	10	1	Date/time/period
---	------------	---	----	---	------------------

Standard			Implementation	
Tag	Name	St Format	St Format	Usage / Remark
DTM				
C507	Date/time/period	M	M	
2005	Date or time or period function code qualifier	M an..3	M an..3	11 Despatch date and or time 11 = Date and time of handover to the carrier 132 Transport means arrival date time, estimated 132 = Expected Date and time when the goods will arrive at the place of unloading. (The dates in the Brose delivery schedule are arrival deadlines)
2380	Date or time or period text	C an..35	C an..35	
2379	Date or time or period format code	C an..3	C an..3	203 CCYYMMDDHHMM

Remark:

Example:

DTM+11:200909021609:203'

No = Consecutive segment number
 MaxOcc = Maximum occurrence of the segment/group
 St = Status, EDIFACT: M=Mandatory, C=Conditional
 User specific: R=Required, O=Optional, D=Dependent, A=Advised, N=Not used

Segments

No	Tag	St	MaxOcc	Level	Name
----	-----	----	--------	-------	------

5	MEA	C	5	1	Measurements
---	------------	---	---	---	--------------

		Standard	Implementation	
Tag	Name	St Format	St Format	Usage / Remark
MEA				
6311	Measurement purpose code qualifier	M an..3	M an..3	AAX Consignment measurement
C502	Measurement details	C	C	
6313	Measured attribute code	C an..3	M an..3	AAD Consignment gross weight AAL Net weight
6321	Measurement significance code	C an..3	N	Not used
6155	Non-discrete measurement name code	C an..17	N	Not used
6154	Non-discrete measurement name	C an..70	N	Not used
C174	Value/range	C	C	
6411	Measurement unit code	M an..8	M an..8	KGM kilogram
6314	Measure	C an..18	M an..18	
6162	Range minimum quantity	C n..18	N	Not used
6152	Range maximum quantity	C n..18	N	Not used
6432	Significant digits quantity	C n..2	N	Not used
7383	Surface or layer code	C an..3	N	Not used

Remark:

Transport level weight

Example:

MEA+AAX+AAD+KGM:1000'

No = Consecutive segment number

MaxOcc = Maximum occurrence of the segment/group

St = Status, EDIFACT: M=Mandatory, C=Conditional

User specific: R=Required, O=Optional, D=Dependent, A=Advised, N=Not used

Segments

No	Tag	St	MaxOcc	Level	Name
	SG2	C	99	1	NAD
6	NAD	M	1	1	Name and address

Standard			Implementation	
Tag	Name	St Format	St Format	Usage / Remark
NAD				
3035	Party function code qualifier	M an..3	M an..3	SU Supplier ST Ship to BY Buyer CN Consignee
C082	Party identification details	C	C	
3039	Party identifier	M an..35	M an..35	SU = supplier number ST = Brose plant code e.g. 1012
1131	Code list identification code	C an..17	N	Not used
3055	Code list responsible agency code	C an..3	C an..3	92 Assigned by buyer or buyer's agent 91 Assigned by seller or seller's agent
C058	Name and address	C	N	
3124	Name and address description	M an..35	N	Not used
3124	Name and address description	C an..35	N	Not used
3124	Name and address description	C an..35	N	Not used
3124	Name and address description	C an..35	N	Not used
3124	Name and address description	C an..35	N	Not used
C080	Party name	C	N	
3036	Party name	M an..35	N	Not used
3036	Party name	C an..35	N	Not used
3036	Party name	C an..35	N	Not used
3036	Party name	C an..35	N	Not used
3036	Party name	C an..35	N	Not used
3045	Party name format code	C an..3	N	Not used
C059	Street	C	N	
3042	Street and number or post office box identifier	M an..35	N	Not used
3042	Street and number or post office box identifier	C an..35	N	Not used
3042	Street and number or post office box identifier	C an..35	N	Not used
3042	Street and number or post office box identifier	C an..35	N	Not used
3164	City name	C an..35	N	Not used
C819	Country subdivision details	C	N	
3229	Country subdivision identifier	C an..9	N	Not used
1131	Code list identification code	C an..17	N	Not used
3055	Code list responsible agency code	C an..3	N	Not used
3228	Country subdivision name	C an..70	N	Not used
3251	Postal identification code	C an..17	N	Not used
3207	Country identifier	C an..3	N	Not used

Remark:

Example:

NAD+SU+1001630:::92'

No = Consecutive segment number

MaxOcc = Maximum occurrence of the segment/group

St = Status, EDIFACT: M=Mandatory, C=Conditional

User specific: R=Required, O=Optional, D=Dependent, A=Advised, N=Not used

Segments

No	Tag	St	MaxOcc	Level	Name
	SG6	C	10	1	TDT
7	TDT	C	1	1	Transport information

Standard			Implementation	
Tag	Name	St Format	St Format	Usage / Remark
TDT				
8051	Transport stage code qualifier	M an..3	M an..3	20 = Main-carriage transport
8028	Means of transport journey identifier	C an..17	M an..17	Reference number covering the transport
C220	Mode of transport	C	M	
8067	Transport mode name code	C an..3	M an..3	10 = Maritime transport 20 = Rail transport 30 = Road transport 40 = Air transport 60 = Multimodal transport
8066	Transport mode name	C an..17	N	Not used
C001	Transport means	C	N	
8179	Transport means description code	C an..8	N	Not used
1131	Code list identification code	C an..17	N	Not used
3055	Code list responsible agency code	C an..3	N	Not used
8178	Transport means description	C an..17	N	Not used
C040	Carrier	C	N	
3127	Carrier identifier	C an..17	N	Not used
1131	Code list identification code	C an..17	N	Not used
3055	Code list responsible agency code	C an..3	N	Not used
3126	Carrier name	C an..35	N	Not used
8101	Transit direction indicator code	C an..3	N	Not used
C401	Excess transportation information	C	N	
8457	Excess transportation reason code	M an..3	N	Not used
8459	Excess transportation responsibility code	M an..3	N	Not used
7130	Customer shipment authorisation identifier	C an..17	N	Not used
C222	Transport identification	C	N	
8213	Transport means identification name identifier	C an..35	N	Not used
1131	Code list identification code	C an..17	N	Not used
3055	Code list responsible agency code	C an..3	N	Not used
8212	Transport means identification name	C an..70	N	Not used
8453	Transport means nationality code	C an..3	N	Not used
8281	Transport means ownership indicator code	C an..3	N	Not used

Remark:

Example:

TDT+20+XXXXXXXXXX+30'

No = Consecutive segment number

MaxOcc = Maximum occurrence of the segment/group

St = Status, EDIFACT: M=Mandatory, C=Conditional

User specific: R=Required, O=Optional, D=Dependent, A=Advised, N=Not used

Segments

No	Tag	St	MaxOcc	Level	Name
	SG10	C	9999	1	CPS-SG11-SG17
8	CPS	M	1	1	Consignment packing sequence

Standard			Implementation	
Tag	Name	St Format	St Format	Usage / Remark
CPS				
7164	Hierarchical structure level identifier	M an..35	M an..35	CPS counter - Should be a counting number over all CPS segments in the message. It is necessary to identify the corresponding CPS segments which are belongs together.
7166	Hierarchical structure parent identifier	C an..35	C an..35	Number/counter-number of the segment to which the CPS segment belongs - hierarchical pointer
7075	Packaging level code	C an..3	C an..3	5 Shipment level 4 No packaging hierarchy 3 Outer 1 Inner

Remark:

Please have a look into the packaging examples to understand how to use the CPS Segments

CPS+X++5 = Head CPS Segment / Despatch information / Delivery note number

CPS+X+X+4 = Used for single packaging hierarchy. (with fill quantity)

CPS+X+X+3 = Outer packaging of a multipositional packaging hierarchy. (without fill quantity)

CPS+X+X+1 = Inner packaging of a multipositional packaging hierarchy. Only valid in combination with a CPS+X+X+3 segment. (with fill quantity)

Example:

CPS+1++5'

No = Consecutive segment number

MaxOcc = Maximum occurrence of the segment/group

St = Status, EDIFACT: M=Mandatory, C=Conditional

User specific: R=Required, O=Optional, D=Dependent, A=Advised, N=Not used

Segments

No	Tag	St	MaxOcc	Level	Name
	SG10	C	9999	1	CPS-SG11-SG17
	SG11	C	9999	2	PAC-QTY-SG13
9	PAC	M	1	2	Package

Standard			Implementation	
Tag	Name	St Format	St Format	Usage / Remark
PAC				
7224	Package quantity	C n..8	C n..8	
C531	Packaging details	C	C	
7075	Packaging level code	C an..3	N	Not used
7233	Packaging related description code	C an..3	C an..3	37 Package protection 37 = Identifier for loading equipment / packaging without a charge e.g. cover or empty KLT boxes.
7073	Packaging terms and conditions code	C an..3	N	Not used
C202	Package type	C	C	
7065	Package type description code	C an..17	C an..17	
1131	Code list identification code	C an..17	N	Not used
3055	Code list responsible agency code	C an..3	C an..3	92 Assigned by buyer or buyer's agent 92 = Qualifier for the Brose packaging code 91 Assigned by seller or seller's agent 91 = Qualifier for customers packaging code
7064	Type of packages	C an..35	N	Not used
C402	Package type identification	C	N	
7077	Description format code	M an..3	N	Not used
7064	Type of packages	M an..35	N	Not used
7143	Item type identification code	C an..3	N	Not used
7064	Type of packages	C an..35	N	Not used
7143	Item type identification code	C an..3	N	Not used
C532	Returnable package details	C	N	
8395	Returnable package freight payment responsibility code	C an..3	N	Not used
8393	Returnable package load contents code	C an..3	N	Not used

Remark:

Example:

PAC+1++3044H0-000::92'

No = Consecutive segment number
 MaxOcc = Maximum occurrence of the segment/group
 St = Status, EDIFACT: M=Mandatory, C=Conditional
 User specific: R=Required, O=Optional, D=Dependent, A=Advised, N=Not used

Segments

No	Tag	St	MaxOcc	Level	Name
	SG10	C	9999	1	CPS-SG11-SG17
	SG11	C	9999	2	PAC-QTY-SG13
10	QTY	C	10	3	Quantity

Standard			Implementation	
Tag	Name	St Format	St Format	Usage / Remark
QTY				
C186	Quantity details	M	M	
6063	Quantity type code qualifier	M an..3	M an..3	52 Quantity per pack
6060	Quantity	M an..35	M an..35	
6411	Measurement unit code	C an..8	C an..8	PCE piece MTR metre MTK square metre MTQ cubic metre TNE tonne (metric ton) KGM kilogram KTM kilometre

Remark:

Example:

QTY+52:100:PCE'

No = Consecutive segment number
 MaxOcc = Maximum occurrence of the segment/group
 St = Status, EDIFACT: M=Mandatory, C=Conditional
 User specific: R=Required, O=Optional, D=Dependent, A=Advised, N=Not used

Segments

No	Tag	St	MaxOcc	Level	Name
	SG10	C	9999	1	CPS-SG11-SG17
	SG11	C	9999	2	PAC-QTY-SG13
	SG13	M	1000	3	PCI-RFF-SG14
11	PCI	M	1	3	Package identification

Standard			Implementation	
Tag	Name	St Format	St Format	Usage / Remark
PCI				
4233	Marking instructions code	C an..3	C an..3	17 Seller's instructions
C210	Marks & labels	C	N	
7102	Shipping marks description	M an..35	N	Not used
7102	Shipping marks description	C an..35	N	Not used
7102	Shipping marks description	C an..35	N	Not used
7102	Shipping marks description	C an..35	N	Not used
7102	Shipping marks description	C an..35	N	Not used
7102	Shipping marks description	C an..35	N	Not used
7102	Shipping marks description	C an..35	N	Not used
7102	Shipping marks description	C an..35	N	Not used
7102	Shipping marks description	C an..35	N	Not used
8169	Full or empty indicator code	C an..3	N	Not used
C827	Type of marking	C	N	
7511	Marking type code	M an..3	N	Not used
1131	Code list identification code	C an..17	N	Not used
3055	Code list responsible agency code	C an..3	N	Not used

Remark:

Example:

PCI+17'

No = Consecutive segment number

MaxOcc = Maximum occurrence of the segment/group

St = Status, EDIFACT: M=Mandatory, C=Conditional

User specific: R=Required, O=Optional, D=Dependent, A=Advised, N=Not used

Segments

No	Tag	St	MaxOcc	Level	Name
	SG10	C	9999	1	CPS-SG11-SG17
	SG11	C	9999	2	PAC-QTY-SG13
	SG13	M	1000	3	PCI-RFF-SG14
12	RFF	C	1	4	Reference

Standard			Implementation	
Tag	Name	St Format	St Format	Usage / Remark
RFF				
C506	Reference	M	M	
1153	Reference code qualifier	M an..3	M an..3	<p>AAT Master label number AAT = Continous pack no. of the master packaging / Only valid in an CPS+X+X+3 Segment</p> <p>BT Batch number/lot number BT = Lot Number / Only valid within an CPS+X+X+1 or CPS+X+X+4 segment. Mandatory if the material/articel is obligated to batch management requirement.</p>
1154	Reference identifier	C an..70	C an..70	
1156	Document line identifier	C an..6	N	Not used
1056	Version identifier	C an..9	N	Not used
1060	Revision identifier	C an..6	N	Not used

Remark:

Example:

RFF+AAT:MASTERLABELNUMBER'

No = Consecutive segment number

MaxOcc = Maximum occurrence of the segment/group

St = Status, EDIFACT: M=Mandatory, C=Conditional

User specific: R=Required, O=Optional, D=Dependent, A=Advised, N=Not used

Segments

No	Tag	St	MaxOcc	Level	Name
	SG10	C	9999	1	CPS-SG11-SG17
	SG11	C	9999	2	PAC-QTY-SG13
	SG13	M	1000	3	PCI-RFF-SG14
	SG14	C	99	4	GIR
13	GIR	M	1	4	Related identification numbers

		Standard		Implementation	
Tag	Name	St	Format	St	Format / Remark
GIR					
7297	Set type code qualifier	M	an..3	M	an..3 3 Package
C206	Identification number	M		M	
7402	Object identifier	M	an..35	M	an..20 Pack counter - Counter must be unique within one year for each packaging / handling unit with a fill quantity
7405	Object identification code qualifier	C	an..3	C	an..3 ML Marking/label number
4405	Status description code	C	an..3	N	Not used
C206	Identification number	C		N	
7402	Object identifier	M	an..35	N	Not used
7405	Object identification code qualifier	C	an..3	N	Not used
4405	Status description code	C	an..3	N	Not used
C206	Identification number	C		N	
7402	Object identifier	M	an..35	N	Not used
7405	Object identification code qualifier	C	an..3	N	Not used
4405	Status description code	C	an..3	N	Not used
C206	Identification number	C		N	
7402	Object identifier	M	an..35	N	Not used
7405	Object identification code qualifier	C	an..3	N	Not used
4405	Status description code	C	an..3	N	Not used
C206	Identification number	C		N	
7402	Object identifier	M	an..35	N	Not used
7405	Object identification code qualifier	C	an..3	N	Not used
4405	Status description code	C	an..3	N	Not used

Remark:

Example:

GIR+3+10001:ML'

No = Consecutive segment number

MaxOcc = Maximum occurrence of the segment/group

St = Status, EDIFACT: M=Mandatory, C=Conditional

User specific: R=Required, O=Optional, D=Dependent, A=Advised, N=Not used

Segments

No	Tag	St	MaxOcc	Level	Name
	SG10	C	9999	1	CPS-SG11-SG17
	SG17	C	9999	2	LIN-PIA-QTY-SG18-SG20
14	LIN	M	1	2	Line item

Standard			Implementation	
Tag	Name	St Format	St Format	Usage / Remark
LIN				
1082	Line item identifier	C an..6	N	Not used
1229	Action code	C an..3	N	Not used
C212	Item number identification	C	C	
7140	Item identifier	C an..35	C an..35	Brose articel code e.g. 105918-100
7143	Item type identification code	C an..3	C an..3	IN Buyer's item number
1131	Code list identification code	C an..17	N	Not used
3055	Code list responsible agency code	C an..3	N	Not used
C829	Sub-line information	C	N	
5495	Sub-line indicator code	C an..3	N	Not used
1082	Line item identifier	C an..6	N	Not used
1222	Configuration level number	C n..2	N	Not used
7083	Configuration operation code	C an..3	N	Not used

Remark:

Example:

LIN+++105918-100:IN'

No = Consecutive segment number
 MaxOcc = Maximum occurrence of the segment/group
 St = Status, EDIFACT: M=Mandatory, C=Conditional
 User specific: R=Required, O=Optional, D=Dependent, A=Advised, N=Not used

Segments

No	Tag	St	MaxOcc	Level	Name
	SG10	C	9999	1	CPS-SG11-SG17
	SG17	C	9999	2	LIN-PIA-QTY-SG18-SG20
15	PIA	C	1	3	Additional product id

Standard			Implementation	
Tag	Name	St Format	St Format	Usage / Remark
PIA				
4347	Product identifier code qualifier	M an..3	N	Not used
C212	Item number identification	M	M	
7140	Item identifier	C an..35	C an..35	
7143	Item type identification code	C an..3	C an..3	SA Supplier's article number
1131	Code list identification code	C an..17	N	Not used
3055	Code list responsible agency code	C an..3	N	Not used
C212	Item number identification	C	N	
7140	Item identifier	C an..35	N	Not used
7143	Item type identification code	C an..3	N	Not used
1131	Code list identification code	C an..17	N	Not used
3055	Code list responsible agency code	C an..3	N	Not used
C212	Item number identification	C	N	
7140	Item identifier	C an..35	N	Not used
7143	Item type identification code	C an..3	N	Not used
1131	Code list identification code	C an..17	N	Not used
3055	Code list responsible agency code	C an..3	N	Not used
C212	Item number identification	C	N	
7140	Item identifier	C an..35	N	Not used
7143	Item type identification code	C an..3	N	Not used
1131	Code list identification code	C an..17	N	Not used
3055	Code list responsible agency code	C an..3	N	Not used
C212	Item number identification	C	N	
7140	Item identifier	C an..35	N	Not used
7143	Item type identification code	C an..3	N	Not used
1131	Code list identification code	C an..17	N	Not used
3055	Code list responsible agency code	C an..3	N	Not used

Remark:
Suppliers articel code

Example:
PIA++SUPPARTICELCODE : SA '

No = Consecutive segment number
 MaxOcc = Maximum occurrence of the segment/group
 St = Status, EDIFACT: M=Mandatory, C=Conditional
 User specific: R=Required, O=Optional, D=Dependent, A=Advised, N=Not used

Segments

No	Tag	St	MaxOcc	Level	Name
	SG10	C	9999	1	CPS-SG11-SG17
	SG17	C	9999	2	LIN-PIA-QTY-SG18-SG20
16	QTY	C	10	3	Quantity

Standard			Implementation	
Tag	Name	St Format	St Format	Usage / Remark
QTY				
C186	Quantity details	M	M	
6063	Quantity type code qualifier	M an..3	M an..3	12 Despatch quantity 12 = Marks the cumulated delivery quantity
6060	Quantity	M an..35	M an..35	
6411	Measurement unit code	C an..8	C an..8	PCE piece

Remark:

Example:

QTY+12:400:PCE'

No = Consecutive segment number
 MaxOcc = Maximum occurrence of the segment/group
 St = Status, EDIFACT: M=Mandatory, C=Conditional
 User specific: R=Required, O=Optional, D=Dependent, A=Advised, N=Not used

Segments

No	Tag	St	MaxOcc	Level	Name
	SG10	C	9999	1	CPS-SG11-SG17
	SG17	C	9999	2	LIN-PIA-QTY-SG18-SG20
	SG18	R	99	3	RFF
17	RFF	M	1	3	Reference

Standard			Implementation	
Tag	Name	St Format	St Format	Usage / Remark
RFF				
C506	Reference	M	M	
1153	Reference code qualifier	M an..3	M an..3	AAK Despatch advice number ON Order document identifier, buyer assigned ON = Brose ordering number / Only one order number in each CPS+X+X+5 allowed. AAK = Suppliers Delivery note number / Only one delivery note number per each CPS+X+X+5 Segment allowed.
1154	Reference identifier	C an..70	C an..70	
1156	Document line identifier	C an..6	N	Not used
1056	Version identifier	C an..9	N	Not used
1060	Revision identifier	C an..6	N	Not used

Remark:

Example:

RFF+ON: 5500008438'

No = Consecutive segment number
 MaxOcc = Maximum occurrence of the segment/group
 St = Status, EDIFACT: M=Mandatory, C=Conditional
 User specific: R=Required, O=Optional, D=Dependent, A=Advised, N=Not used

Segments

No	Tag	St	MaxOcc	Level	Name
	SG10	C	9999	1	CPS-SG11-SG17
	SG17	C	9999	2	LIN-PIA-QTY-SG18-SG20
	SG20	C	100	3	LOC
18	LOC	M	1	3	Place/location identification

		Standard	Implementation		
Tag	Name	St Format	St Format	Usage / Remark	
LOC					
3227	Location function code qualifier	M an..3	M an..3	11 Place of discharge 159 Additional internal destination	
C517	Location identification	C	C		
3225	Location identifier	C an..35	C an..35	11 = Brose unloading point e.g. CO210 159 = receiving storage location	
1131	Code list identification code	C an..17	N	Not used	
3055	Code list responsible agency code	C an..3	N	Not used	
3224	Location name	C an..256	N	Not used	
C519	Related location one identification	C	N		
3223	First related location identifier	C an..35	N	Not used	
1131	Code list identification code	C an..17	N	Not used	
3055	Code list responsible agency code	C an..3	N	Not used	
3222	First related location name	C an..70	N	Not used	
C553	Related location two identification	C	N		
3233	Second related location identifier	C an..35	N	Not used	
1131	Code list identification code	C an..17	N	Not used	
3055	Code list responsible agency code	C an..3	N	Not used	
3232	Second related location name	C an..70	N	Not used	
5479	Relation code	C an..3	N	Not used	

Remark:

Example:

LOC+11+CO210'

No = Consecutive segment number
 MaxOcc = Maximum occurrence of the segment/group
 St = Status, EDIFACT: M=Mandatory, C=Conditional
 User specific: R=Required, O=Optional, D=Dependent, A=Advised, N=Not used

Segments

No	Tag	St	MaxOcc	Level	Name
19	UNT	Message trailer	1	0	Message trailer

		Standard	Implementation		
Tag	Name	St Format	St Format	Usage / Remark	
UNT					
0074	Number of segments in the message	M n..6	M n..6		
0062	Message reference number	M an..14	M an..14	Value must be the same as 0062 - Message reference Number in UNH	

Remark:

Example:

UNT+91+00052'

No = Consecutive segment number
 MaxOcc = Maximum occurrence of the segment/group
 St = Status, EDIFACT: M=Mandatory, C=Conditional
 User specific: R=Required, O=Optional, D=Dependent, A=Advised, N=Not used

Segments

No	Tag	St	MaxOcc	Level	Name
20	UNZ	M	1	0	Interchange trailer

Standard			Implementation	
Tag	Name	St Format	St Format	Usage / Remark
UNZ				
0036	Interchange control count	M n..6	M n..6	
0020	Interchange control reference	M an..14	M an..14	

Remark:

Marked the end of an waybill

Example:

UNZ+1+00033'

No = Consecutive segment number

MaxOcc = Maximum occurrence of the segment/group

St = Status, EDIFACT: M=Mandatory, C=Conditional

User specific: R=Required, O=Optional, D=Dependent, A=Advised, N=Not used