

Message Implementation Guideline

Guideline IFCSUM

based on

IFCSUM

Forwarding and consolidation summary message

UN D.01B S3

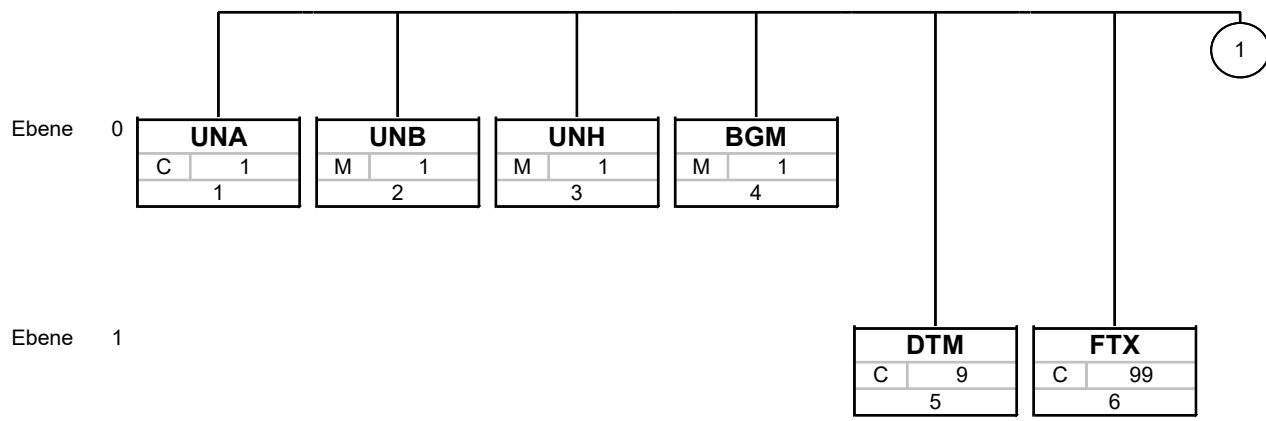
Version:	3.0
Variant:	Brose
Issue date:	29.08.2017
Author:	Brose

Structure / Table of Contents

No	Tag	St	MaxOcc	Level	Content
1	UNA	C	1	0	Service string advice
2	UNB	M	1	0	Interchange header
3	UNH	M	1	0	Message header
4	BGM	M	1	0	Beginning of message
5	DTM	C	9	1	Date/time/period
6	FTX	C	99	1	Free text
7	CNT	C	9	1	Control total
	SG1	C	9	1	RFF
8	RFF	M	1	1	Reference
	SG4	C	9	1	NAD
9	NAD	M	1	1	Name and address
	SG9	C	9	1	TDT-DTM-TSR
10	TDT	M	1	1	Details of transport
11	DTM	C	9	2	Date/time/period
12	TSR	C	9	2	Transport service requirements
	SG25	C	9999	1	CNI-SG28-DTM-TSR-SG32-SG43-SG50
13	CNI	M	1	1	Consignment information
	SG28	C	9	2	TPL
14	TPL	M	1	2	Transport placement
15	DTM	C	9	2	Date/time/period
16	TSR	C	9	2	Transport service requirements
	SG32	C	999	2	RFF
17	RFF	M	1	2	Reference
	SG43	C	99	2	NAD-SG47
18	NAD	M	1	2	Name and address
	SG47	C	9	3	RFF
19	RFF	M	1	3	Reference
	SG50	C	999	2	GID-HAN-FTX-SG52-SG53-SG54
20	GID	M	1	2	Goods item details
21	HAN	C	1	3	Handling instructions
22	FTX	C	9	3	Free text
	SG52	C	99	3	MEA
23	MEA	M	1	3	Measurements
	SG53	C	99	3	DIM
24	DIM	M	1	3	Dimensions
	SG54	C	9	3	RFF
25	RFF	M	1	3	Reference
26	UNT	M	1	0	Message trailer
27	UNZ	M	1	0	Interchange trailer

No = Consecutive segment number, MaxOcc = Maximum occurrence of the segment/group
 St = Status, EDIFACT: M=Mandatory, C=Conditional
 User specific: R=Required, O=Optional, D=Dependent, A=Advised, N=Not used

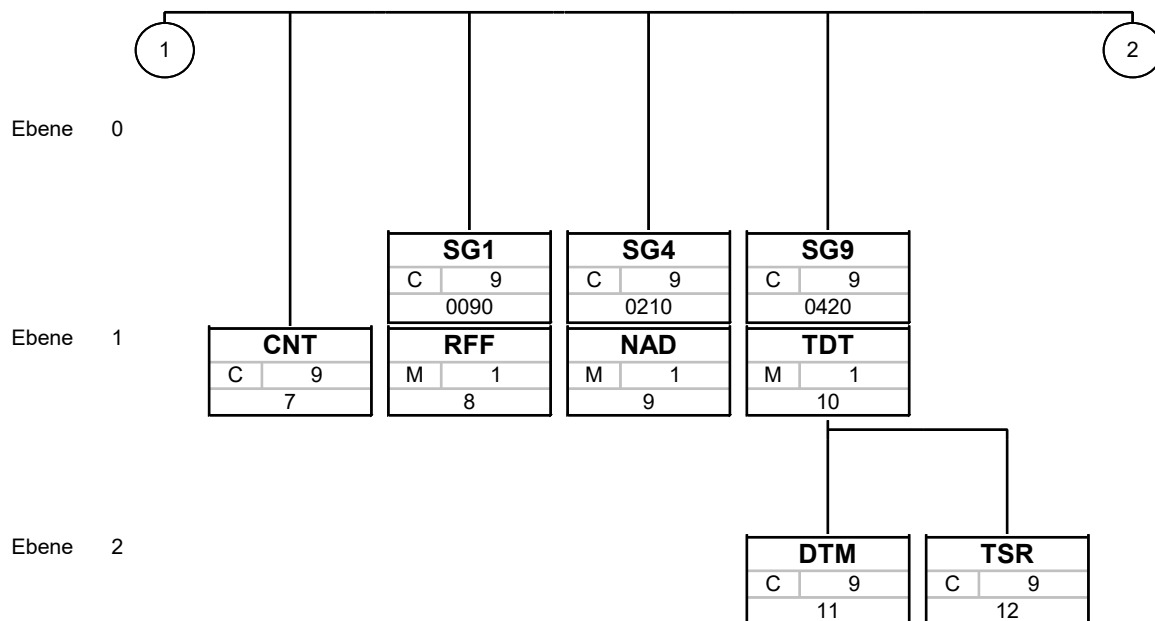
Branching Diagram of Used Segments/Groups



Bez
St MaxWdh
Nr

Tag = Segment/Group Tag
 St = Status (M=Mandatory, C=Conditional, R=Required, O=Optional, A=Advised, D=Dependent)
 MaxOcc = Maximum occurrence of the segment/group
 No = Consecutive segment number

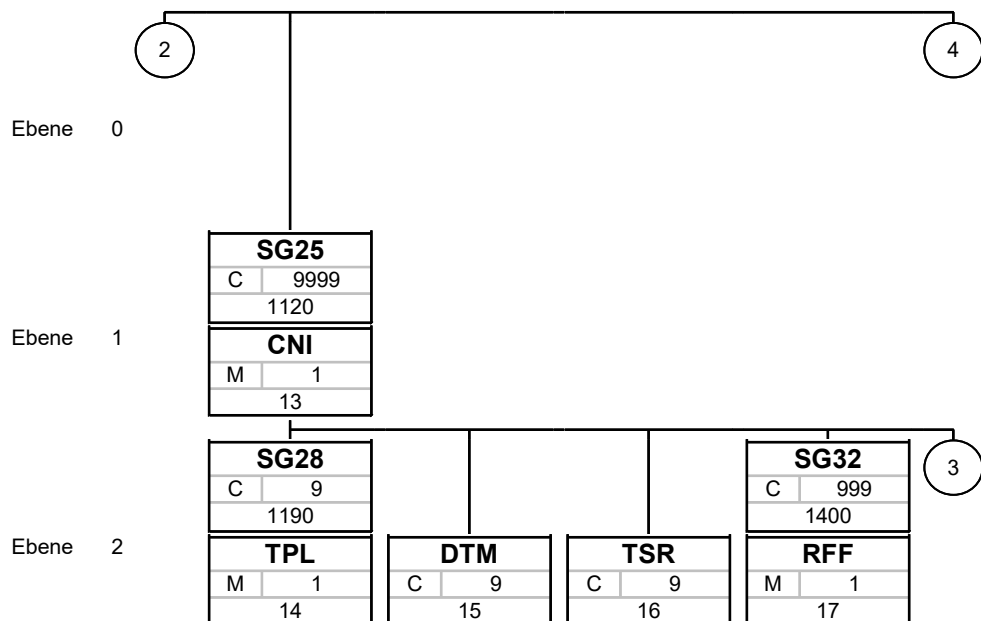
Branching Diagram of Used Segments/Groups



Bez
St MaxWdh
Nr

Tag = Segment/Group Tag
 St = Status (M=Mandatory, C=Conditional, R=Required, O=Optional, A=Advised, D=Dependent)
 MaxOcc = Maximum occurrence of the segment/group
 No = Consecutive segment number

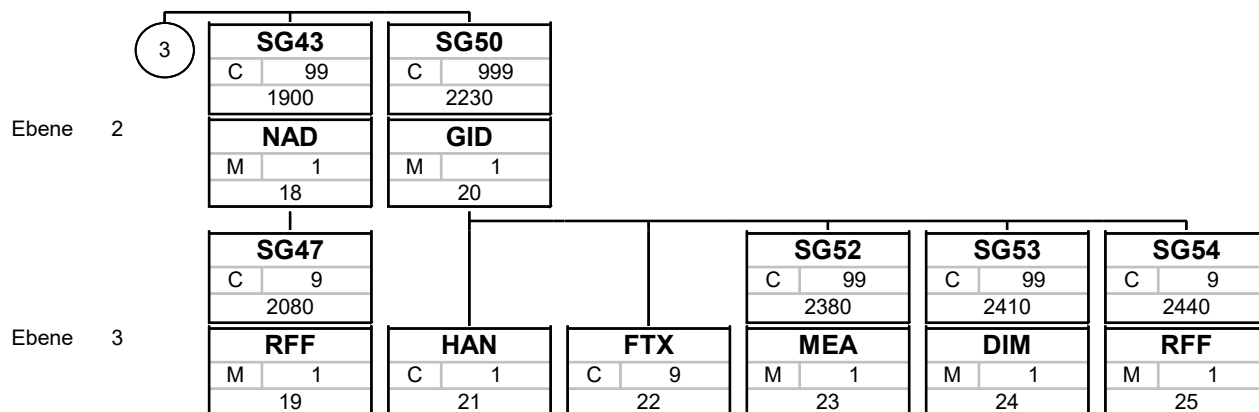
Branching Diagram of Used Segments/Groups



Bez
St MaxWdh
Nr

Tag = Segment/Group Tag
 St = Status (M=Mandatory, C=Conditional, R=Required, O=Optional, A=Advised, D=Dependent)
 MaxOcc = Maximum occurrence of the segment/group
 No = Consecutive segment number

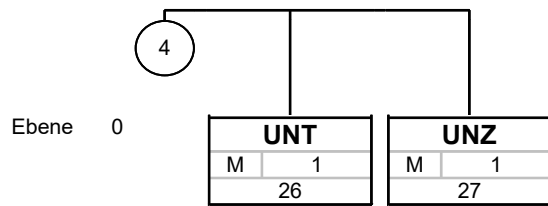
Branching Diagram of Used Segments/Groups



Bez
St MaxWdh
Nr

Tag = Segment/Group Tag
 St = Status (M=Mandatory, C=Conditional, R=Required, O=Optional, A=Advised, D=Dependent)
 MaxOcc = Maximum occurrence of the segment/group
 No = Consecutive segment number

Branching Diagram of Used Segments/Groups



Bez
St MaxWdh
Nr

Tag = Segment/Group Tag
 St = Status (M=Mandatory, C=Conditional, R=Required, O=Optional, A=Advised, D=Dependent)
 MaxOcc = Maximum occurrence of the segment/group
 No = Consecutive segment number

Segments

No	Tag	St	MaxOcc	Level	Name
1	UNA	C	1	0	Service string advice

Standard			Implementation	
Tag	Name	St Format	St Format	Usage / Remark
UNA				
UNA1	Component data element separator	M an1	M an1	
UNA2	Data element separator	M an1	M an1	
UNA3	Decimal notation	M an1	M an1	
UNA4	Release indicator	M an1	M an1	
UNA5	Reserved for future use	M an1	M an1	
UNA6	Segment terminator	M an1	M an1	

Remark:

Example:
UNA:+.?.'

No = Consecutive segment number
 MaxOcc = Maximum occurrence of the segment/group
 St = Status, EDIFACT: M=Mandatory, C=Conditional
 User specific: R=Required, O=Optional, D=Dependent, A=Advised, N=Not used

Segments

No	Tag	St	MaxOcc	Level	Name
----	-----	----	--------	-------	------

2	UNB	M	1	0	Interchange header
---	------------	---	---	---	--------------------

Standard			Implementation	
Tag	Name	St Format	St Format	Usage / Remark
UNB				
S001	Syntax identifier	M	M	
0001	Syntax identifier	M a4	M a4	UNOC UN/ECE level C 3 Version 3
0002	Syntax version number	M n1	M n1	
S002	Interchange sender	M	M	
0004	Sender identification	M an..35	M an..35	
0007	Partner identification code qualifier	C an..4	N	Not used
0008	Address for reverse routing	C an..14	N	Not used
S003	Interchange recipient	M	M	
0010	Recipient identification	M an..35	M an..35	
0007	Partner identification code qualifier	C an..4	N	Not used
0014	Routing address	C an..14	N	Not used
S004	Date/time of preparation	M	M	
0017	Date of preparation	M n6	M n6	
0019	Time of preparation	M n4	M n4	
0020	Interchange control reference	M an..14	M an..14	
S005	Recipient's reference, password	C	N	
0022	Recipient's reference/password	M an..14	N	Not used
0025	Recipient's reference/password qualifier	C an2	N	Not used
0026	Application reference	C an..14	N	Not used
0029	Processing priority code	C a1	N	Not used
0031	Acknowledgement request	C n1	N	Not used
0032	Communications agreement ID	C an..35	N	Not used
0035	Test indicator	C n1	N	Not used

Remark:

Example:

UNB+UNOC:3+BROSE+XXXXXXXXX+170828:1105+4491'

No = Consecutive segment number
 MaxOcc = Maximum occurrence of the segment/group
 St = Status, EDIFACT: M=Mandatory, C=Conditional
 User specific: R=Required, O=Optional, D=Dependent, A=Advised, N=Not used

Segments

No	Tag	St	MaxOcc	Level	Name
3	UNH	M	1	0	Message header

		Standard	Implementation		
Tag	Name	St Format	St Format	Usage / Remark	
UNH					
0062	Message reference number	M an..14	M an..14		
S009	Message identifier	M	M		
0065	Message type	M an..6	M an..6	IFCSUM Forwarding and consolidation summary message	
0052	Message version number	M an..3	M an..3	D Draft version/UN/EDIFACT Directory	
0054	Message release number	M an..3	M an..3	01B Release 2001 - B	
0051	Controlling agency	M an..2	M an..2	UN UN/CEFACT	
0057	Association assigned code	C an..6	N	Not used	
0068	Common access reference	C an..35	N	Not used	
S010	Status of the transfer	C	N		
0070	Sequence of transfers	M n..2	N	Not used	
0073	First and last transfer	C a1	N	Not used	

Remark:

Example:

UNH+1+IFCSUM:D:01B:UN'

No = Consecutive segment number

MaxOcc = Maximum occurrence of the segment/group

St = Status, EDIFACT: M=Mandatory, C=Conditional

User specific: R=Required, O=Optional, D=Dependent, A=Advised, N=Not used

Segments

No	Tag	St	MaxOcc	Level	Name
4	BGM	M	1	0	Beginning of message

		Standard	Implementation	
Tag	Name	St Format	St Format	Usage / Remark
BGM				
C002	Document/message name	C	C	
1001	Document name code	C an..3	C an..3	610 Forwarding instructions
1131	Code list identification code	C an..17	N	Not used
3055	Code list responsible agency code	C an..3	N	Not used
1000	Document name	C an..35	N	Not used
C106	Document/message identification	C	C	
1004	Document identifier	C an..35	C an..35	
1056	Version identifier	C an..9	N	Not used
1060	Revision identifier	C an..6	N	Not used
1225	Message function code	C an..3	C an..3	9 Original
4343	Response type code	C an..3	N	Not used

Remark:

Example:

BGM+610+123456789+9'

No = Consecutive segment number
 MaxOcc = Maximum occurrence of the segment/group
 St = Status, EDIFACT: M=Mandatory, C=Conditional
 User specific: R=Required, O=Optional, D=Dependent, A=Advised, N=Not used

Segments

No	Tag	St	MaxOcc	Level	Name
5	DTM	C	9	1	Date/time/period

Standard			Implementation	
Tag	Name	St Format	St Format	Usage / Remark
DTM				
C507	Date/time/period	M	M	
2005	Date or time or period function code qualifier	M an..3	M an..3	137 Document/message date/time
2380	Date or time or period value	C an..35	C an..35	
2379	Date or time or period format code	C an..3	C an..3	204 CCYYMMDDHHMMSS

Remark:

Example:

DTM+137:20170824171829:204'

No = Consecutive segment number
 MaxOcc = Maximum occurrence of the segment/group
 St = Status, EDIFACT: M=Mandatory, C=Conditional
 User specific: R=Required, O=Optional, D=Dependent, A=Advised, N=Not used

Segments

No	Tag	St	MaxOcc	Level	Name
6	FTX	C	99	1	Free text

		Standard	Implementation		
Tag	Name	St Format	St Format	Usage / Remark	
FTX					
4451	Text subject code qualifier	M an..3	M an..3	RQT Tariffs and route requested ZZ1	
4453	Free text function code	C an..3	N	Not used	
C107	Text reference	C	N		
4441	Free text value code	M an..17	N	Not used	
1131	Code list identification code	C an..17	N	Not used	
3055	Code list responsible agency code	C an..3	N	Not used	
C108	Text literal	C	C		
4440	Free text value	M an..512	M an..512		
4440	Free text value	C an..512	N	Not used	
4440	Free text value	C an..512	N	Not used	
4440	Free text value	C an..512	N	Not used	
4440	Free text value	C an..512	N	Not used	
3453	Language name code	C an..3	N	Not used	
4447	Free text format code	C an..3	N	Not used	

Remark:

Example:

FTX+ZZ1+++123456789'

No = Consecutive segment number
 MaxOcc = Maximum occurrence of the segment/group
 St = Status, EDIFACT: M=Mandatory, C=Conditional
 User specific: R=Required, O=Optional, D=Dependent, A=Advised, N=Not used

Segments

No	Tag	St	MaxOcc	Level	Name
----	-----	----	--------	-------	------

7	CNT	C	9	1	Control total
---	------------	---	---	---	---------------

Standard			Implementation	
Tag	Name	St Format	St Format	Usage / Remark
CNT				
C270	Control	M	M	
6069	Control total type code qualifier	M an..3	M an..3	7 Total gross weight 10 Total number of consignments 11 Total number of packages
6066	Control total value	M n..18	M n..18	
6411	Measurement unit code	C an..3	N	Not used

Remark:

Example:

CNT+7:350'

No = Consecutive segment number

MaxOcc = Maximum occurrence of the segment/group

St = Status, EDIFACT: M=Mandatory, C=Conditional

User specific: R=Required, O=Optional, D=Dependent, A=Advised, N=Not used

Segments

No	Tag	St	MaxOcc	Level	Name
	SG1	C	9	1	RFF
8	RFF	M	1	1	Reference

Standard			Implementation	
Tag	Name	St Format	St Format	Usage / Remark
RFF				
C506	Reference	M	M	
1153	Reference code qualifier	M an..3	M an..3	SRN Shipment reference number
1154	Reference identifier	C an..70	C an..70	
1156	Document line identifier	C an..6	N	Not used
4000	Reference version identifier	C an..35	N	Not used
1060	Revision identifier	C an..6	N	Not used

Remark:

Example:

RFF+SRN:123456789'

No = Consecutive segment number
 MaxOcc = Maximum occurrence of the segment/group
 St = Status, EDIFACT: M=Mandatory, C=Conditional
 User specific: R=Required, O=Optional, D=Dependent, A=Advised, N=Not used

Segments

No	Tag	St	MaxOcc	Level	Name
	SG4	C	9	1	NAD
9	NAD	M	1	1	Name and address

Standard			Implementation	
Tag	Name	St Format	St Format	Usage / Remark
NAD				
3035	Party function code qualifier	M an..3	M an..3	CA Carrier FP Freight/charges payer
C082	Party identification details	C	C	
3039	Party identifier	M an..35	M an..35	
1131	Code list identification code	C an..17	N	Not used
3055	Code list responsible agency code	C an..3	C an..3	87 Assigned by carrier
C058	Name and address	C	N	
3124	Name and address description	M an..35	N	Not used
3124	Name and address description	C an..35	N	Not used
3124	Name and address description	C an..35	N	Not used
3124	Name and address description	C an..35	N	Not used
3124	Name and address description	C an..35	N	Not used
C080	Party name	C	N	
3036	Party name	M an..35	N	Not used
3036	Party name	C an..35	N	Not used
3036	Party name	C an..35	N	Not used
3036	Party name	C an..35	N	Not used
3036	Party name	C an..35	N	Not used
3036	Party name	C an..35	N	Not used
3045	Party name format code	C an..3	N	Not used
C059	Street	C	N	
3042	Street and number or post office box identifier	M an..35	N	Not used
3042	Street and number or post office box identifier	C an..35	N	Not used
3042	Street and number or post office box identifier	C an..35	N	Not used
3042	Street and number or post office box identifier	C an..35	N	Not used
3164	City name	C an..35	N	Not used
C819	Country sub-entity details	C	N	
3229	Country sub-entity name code	C an..9	N	Not used
1131	Code list identification code	C an..17	N	Not used
3055	Code list responsible agency code	C an..3	N	Not used
3228	Country sub-entity name	C an..70	N	Not used
3251	Postal identification code	C an..17	N	Not used
3207	Country name code	C an..3	N	Not used

Remark:

Example:

NAD+FP+00000000::87'

No = Consecutive segment number

MaxOcc = Maximum occurrence of the segment/group

St = Status, EDIFACT: M=Mandatory, C=Conditional

User specific: R=Required, O=Optional, D=Dependent, A=Advised, N=Not used

Segments

No	Tag	St	MaxOcc	Level	Name
	SG9	C	9	1	TDT-DTM-TSR
10	TDT	M	1	1	Details of transport

Standard			Implementation	
Tag	Name	St Format	St Format	Usage / Remark
TDT				
8051	Transport stage code qualifier	M an..3	M an..3	20 Main-carriage transport
8028	Means of transport journey identifier	C an..17	N	Not used
C220	Mode of transport	C	C	
8067	Transport mode name code	C an..3	C an..3	30 Road transport
8066	Transport mode name	C an..17	N	Not used
C228	Transport means	C	C	
8179	Transport means description code	C an..8	C an..8	31 Truck
8178	Transport means description	C an..17	C an..17	
C040	Carrier	C	C	
3127	Carrier identifier	C an..17	C an..17	
1131	Code list identification code	C an..17	C an..17	172 Carriers
3055	Code list responsible agency code	C an..3	N	Not used
3128	Carrier name	C an..35	N	Not used
8101	Transit direction indicator code	C an..3	N	Not used
C401	Excess transportation information	C	N	
8457	Excess transportation reason code	M an..3	N	Not used
8459	Excess transportation responsibility code	M an..3	N	Not used
7130	Customer shipment authorisation identifier	C an..17	N	Not used
C222	Transport identification	C	N	
8213	Transport means identification name identifier	C an..9	N	Not used
1131	Code list identification code	C an..17	N	Not used
3055	Code list responsible agency code	C an..3	N	Not used
8212	Transport means identification name	C an..35	N	Not used
8453	Transport means nationality code	C an..3	N	Not used
8281	Transport means ownership indicator code	C an..3	N	Not used

Remark:

Example:

TDT+20++30+31:STANDARD_TRUCK+SU3:172'

No = Consecutive segment number

MaxOcc = Maximum occurrence of the segment/group

St = Status, EDIFACT: M=Mandatory, C=Conditional

User specific: R=Required, O=Optional, D=Dependent, A=Advised, N=Not used

Segments

No	Tag	St	MaxOcc	Level	Name
	SG9	C	9	1	TDT-DTM-TSR
11	DTM	C	9	2	Date/time/period

Standard			Implementation	
Tag	Name	St Format	St Format	Usage / Remark
DTM				
C507	Date/time/period	M	M	
2005	Date or time or period function code qualifier	M an..3	M an..3	189 Departure date/time, scheduled 232 Arrival date/time, scheduled
2380	Date or time or period value	C an..35	C an..35	
2379	Date or time or period format code	C an..3	C an..3	203 CCYYMMDDHHMM

Remark:

Example:

DTM+189:201707211100:203'

No = Consecutive segment number
 MaxOcc = Maximum occurrence of the segment/group
 St = Status, EDIFACT: M=Mandatory, C=Conditional
 User specific: R=Required, O=Optional, D=Dependent, A=Advised, N=Not used

Segments

No	Tag	St	MaxOcc	Level	Name
	SG9	C	9	1	TDT-DTM-TSR
12	TSR	C	9	2	Transport service requirements

Standard			Implementation	
Tag	Name	St Format	St Format	Usage / Remark
TSR				
C536	Contract and carriage condition	C	C	
4065	Contract and carriage condition code	M an..3	M an..3	TRM
1131	Code list identification code	C an..17	C an..17	LTL
3055	Code list responsible agency code	C an..3	N	Not used
C233	Service	C	N	
7273	Service requirement code	M an..3	N	Not used
1131	Code list identification code	C an..17	N	Not used
3055	Code list responsible agency code	C an..3	N	Not used
7273	Service requirement code	C an..3	N	Not used
1131	Code list identification code	C an..17	N	Not used
3055	Code list responsible agency code	C an..3	N	Not used
C537	Transport priority	C	N	
4219	Transport service priority code	M an..3	N	Not used
1131	Code list identification code	C an..17	N	Not used
3055	Code list responsible agency code	C an..3	N	Not used
C703	Nature of cargo	C	N	
7085	Cargo type classification code	M an..3	N	Not used
1131	Code list identification code	C an..17	N	Not used
3055	Code list responsible agency code	C an..3	N	Not used

Remark:

Example:

TSR+TRM:LTL'

No = Consecutive segment number

MaxOcc = Maximum occurrence of the segment/group

St = Status, EDIFACT: M=Mandatory, C=Conditional

User specific: R=Required, O=Optional, D=Dependent, A=Advised, N=Not used

Segments

No	Tag	St	MaxOcc	Level	Name
	SG25	C	9999	1	CNI-SG28-DTM-TSR-SG32-SG43-SG50
13	CNI	M	1	1	Consignment information

Standard			Implementation	
Tag	Name	St Format	St Format	Usage / Remark
CNI				
1490	Consolidation item number	C n..4	C n..4	
C503	Document/message details	C	C	
1004	Document identifier	C an..35	C an..35	
1373	Document status code	C an..3	N	Not used
1366	Document source description	C an..70	N	Not used
3453	Language name code	C an..3	N	Not used
1056	Version identifier	C an..9	N	Not used
1060	Revision identifier	C an..6	N	Not used
1312	Consignment load sequence identifier	C n..4	N	Not used

Remark:

Example:

CNI+1+00000000000110001001'

No = Consecutive segment number

MaxOcc = Maximum occurrence of the segment/group

St = Status, EDIFACT: M=Mandatory, C=Conditional

User specific: R=Required, O=Optional, D=Dependent, A=Advised, N=Not used

Segments

No	Tag	St	MaxOcc	Level	Name
	SG25	C	9999	1	CNI-SG28-DTM-TSR-SG32-SG43-SG50
	SG28	C	9	2	TPL
14	TPL	M	1	2	Transport placement

Standard			Implementation	
Tag	Name	St Format	St Format	Usage / Remark
TPL				
C222	Transport identification	M	M	
8213	Transport means identification name identifier	C an..9	C an..9	
1131	Code list identification code	C an..17	N	Not used
3055	Code list responsible agency code	C an..3	N	Not used
8212	Transport means identification name	C an..35	N	Not used
8453	Transport means nationality code	C an..3	N	Not used

Remark:

Example:

TPL+X'

No = Consecutive segment number
 MaxOcc = Maximum occurrence of the segment/group
 St = Status, EDIFACT: M=Mandatory, C=Conditional
 User specific: R=Required, O=Optional, D=Dependent, A=Advised, N=Not used

Segments

No	Tag	St	MaxOcc	Level	Name
	SG25	C	9999	1	CNI-SG28-DTM-TSR-SG32-SG43-SG50
15	DTM	C	9	2	Date/time/period

Standard			Implementation	
Tag	Name	St Format	St Format	Usage / Remark
DTM				
C507	Date/time/period	M	M	
2005	Date or time or period function code qualifier	M an..3	M an..3	2 Delivery date/time, requested 200 Pick-up/collection date/time of cargo 398 Goods collection or pick-up date/time, planned 406 Goods positioning date/time, planned
2380	Date or time or period value	C an..35	C an..35	
2379	Date or time or period format code	C an..3	C an..3	719 CCYYMMDDHHMM-CCYYMMDDHHMM

Remark:

Example:

DTM+200:201707210900-201707211200:719'

No = Consecutive segment number
 MaxOcc = Maximum occurrence of the segment/group
 St = Status, EDIFACT: M=Mandatory, C=Conditional
 User specific: R=Required, O=Optional, D=Dependent, A=Advised, N=Not used

Segments

No	Tag	St	MaxOcc	Level	Name
	SG25	C	9999	1	CNI-SG28-DTM-TSR-SG32-SG43-SG50
16	TSR	C	9	2	Transport service requirements

Standard			Implementation	
Tag	Name	St Format	St Format	Usage / Remark
TSR				
C536	Contract and carriage condition	C	C	
4065	Contract and carriage condition code	M an..3	M an..3	3 Special agreement for full loading transport
1131	Code list identification code	C an..17	C an..17	BC FRM OUT STD
3055	Code list responsible agency code	C an..3	N	Not used
C233	Service	C	N	
7273	Service requirement code	M an..3	N	Not used
1131	Code list identification code	C an..17	N	Not used
3055	Code list responsible agency code	C an..3	N	Not used
7273	Service requirement code	C an..3	N	Not used
1131	Code list identification code	C an..17	N	Not used
3055	Code list responsible agency code	C an..3	N	Not used
C537	Transport priority	C	N	
4219	Transport service priority code	M an..3	N	Not used
1131	Code list identification code	C an..17	N	Not used
3055	Code list responsible agency code	C an..3	N	Not used
C703	Nature of cargo	C	N	
7085	Cargo type classification code	M an..3	N	Not used
1131	Code list identification code	C an..17	N	Not used
3055	Code list responsible agency code	C an..3	N	Not used

Remark:

Example:

TSR+3:STD'

No = Consecutive segment number
 MaxOcc = Maximum occurrence of the segment/group
 St = Status, EDIFACT: M=Mandatory, C=Conditional
 User specific: R=Required, O=Optional, D=Dependent, A=Advised, N=Not used

Segments

No	Tag	St	MaxOcc	Level	Name
	SG25	C	9999	1	CNI-SG28-DTM-TSR-SG32-SG43-SG50
	SG32	C	999	2	RFF
17	RFF	M	1	2	Reference

Standard			Implementation	
Tag	Name	St Format	St Format	Usage / Remark
RFF				
C506	Reference	M	M	
1153	Reference code qualifier	M an..3	M an..3	AEL Delivery number (transport) AFH Replenishment purchase order number AUD Collection reference CU Consignor's reference number TIN Transport instruction number
1154	Reference identifier	C an..70	C an..70	
1156	Document line identifier	C an..6	N	Not used
4000	Reference version identifier	C an..35	N	Not used
1060	Revision identifier	C an..6	N	Not used

Remark:

Example:

RFF+CU:00000000000110001001'

No = Consecutive segment number
 MaxOcc = Maximum occurrence of the segment/group
 St = Status, EDIFACT: M=Mandatory, C=Conditional
 User specific: R=Required, O=Optional, D=Dependent, A=Advised, N=Not used

Segments

No	Tag	St	MaxOcc	Level	Name
	SG25	C	9999	1	CNI-SG28-DTM-TSR-SG32-SG43-SG50
	SG43	C	99	2	NAD-SG47
18	NAD	M	1	2	Name and address

Standard			Implementation	
Tag	Name	St Format	St Format	Usage / Remark
NAD				
3035	Party function code qualifier	M an..3	M an..3	AL Principal CN Consignee CZ Consignor DP Delivery party PW Despatch party
C082	Party identification details	C	C	
3039	Party identifier	M an..35	M an..35	
1131	Code list identification code	C an..17	N	Not used
3055	Code list responsible agency code	C an..3	N	Not used
C058	Name and address	C	N	
3124	Name and address description	M an..35	N	Not used
3124	Name and address description	C an..35	N	Not used
3124	Name and address description	C an..35	N	Not used
3124	Name and address description	C an..35	N	Not used
3124	Name and address description	C an..35	N	Not used
C080	Party name	C	C	
3036	Party name	M an..35	M an..35	
3036	Party name	C an..35	C an..35	
3036	Party name	C an..35	N	Not used
3036	Party name	C an..35	N	Not used
3036	Party name	C an..35	N	Not used
3045	Party name format code	C an..3	N	Not used
C059	Street	C	C	
3042	Street and number or post office box identifier	M an..35	M an..35	
3042	Street and number or post office box identifier	C an..35	N	Not used
3042	Street and number or post office box identifier	C an..35	N	Not used
3042	Street and number or post office box identifier	C an..35	N	Not used
3164	City name	C an..35	C an..35	
C819	Country sub-entity details	C	N	
3229	Country sub-entity name code	C an..9	N	Not used
1131	Code list identification code	C an..17	N	Not used
3055	Code list responsible agency code	C an..3	N	Not used
3228	Country sub-entity name	C an..70	N	Not used
3251	Postal identification code	C an..17	C an..17	
3207	Country name code	C an..3	C an..3	DE GERMANY

Remark:

Example:

NAD+CZ+SU00000+XXXXXXXXXXXXXXXXXXXXX: -XXXXXXXXXXXXXXXXXXXXX+XXXXXXXXXXXXXXXXXXXXX+XXXXXX+XX'

No = Consecutive segment number
 MaxOcc = Maximum occurrence of the segment/group
 St = Status, EDIFACT: M=Mandatory, C=Conditional
 User specific: R=Required, O=Optional, D=Dependent, A=Advised, N=Not used

Segments

No	Tag	St	MaxOcc	Level	Name
	SG25	C	9999	1	CNI-SG28-DTM-TSR-SG32-SG43-SG50
	SG43	C	99	2	NAD-SG47
	SG47	C	9	3	RFF
19	RFF	M	1	3	Reference

Standard			Implementation	
Tag	Name	St Format	St Format	Usage / Remark
RFF				
C506	Reference	M	M	
1153	Reference code qualifier	M an..3	M an..3	HUB
1154	Reference identifier	C an..70	N	Not used
1156	Document line identifier	C an..6	N	Not used
4000	Reference version identifier	C an..35	N	Not used
1060	Revision identifier	C an..6	N	Not used

Remark:

Example:

RFF+HUB'

No = Consecutive segment number
 MaxOcc = Maximum occurrence of the segment/group
 St = Status, EDIFACT: M=Mandatory, C=Conditional
 User specific: R=Required, O=Optional, D=Dependent, A=Advised, N=Not used

Segments

No	Tag	St	MaxOcc	Level	Name
	SG25	C	9999	1	CNI-SG28-DTM-TSR-SG32-SG43-SG50
	SG50	C	999	2	GID-HAN-FTX-SG52-SG53-SG54
20	GID	M	1	2	Goods item details

Standard			Implementation	
Tag	Name	St Format	St Format	Usage / Remark
GID				
1496	Goods item number	C n..5	C n..5	
C213	Number and type of packages	C	C	
7224	Package quantity	C n..8	C n..8	
7065	Package type description code	C an..17	C an..17	ST Sheet
1131	Code list identification code	C an..17	N	Not used
3055	Code list responsible agency code	C an..3	N	Not used
7064	Type of packages	C an..35	C an..35	
7233	Packaging related description code	C an..3	N	Not used
C213	Number and type of packages	C	N	
7224	Package quantity	C n..8	N	Not used
7065	Package type description code	C an..17	N	Not used
1131	Code list identification code	C an..17	N	Not used
3055	Code list responsible agency code	C an..3	N	Not used
7064	Type of packages	C an..35	N	Not used
7233	Packaging related description code	C an..3	N	Not used
C213	Number and type of packages	C	N	
7224	Package quantity	C n..8	N	Not used
7065	Package type description code	C an..17	N	Not used
1131	Code list identification code	C an..17	N	Not used
3055	Code list responsible agency code	C an..3	N	Not used
7064	Type of packages	C an..35	N	Not used
7233	Packaging related description code	C an..3	N	Not used
C213	Number and type of packages	C	N	
7224	Package quantity	C n..8	N	Not used
7065	Package type description code	C an..17	N	Not used
1131	Code list identification code	C an..17	N	Not used
3055	Code list responsible agency code	C an..3	N	Not used
7064	Type of packages	C an..35	N	Not used
7233	Packaging related description code	C an..3	N	Not used

Remark:

No = Consecutive segment number
 MaxOcc = Maximum occurrence of the segment/group
 St = Status, EDIFACT: M=Mandatory, C=Conditional
 User specific: R=Required, O=Optional, D=Dependent, A=Advised, N=Not used

Segments

Example:

GID+10+10:ST:::Piece'

No = Consecutive segment number
MaxOcc = Maximum occurrence of the segment/group
St = Status, EDIFACT: M=Mandatory, C=Conditional
User specific: R=Required, O=Optional, D=Dependent, A=Advised, N=Not used

Segments

No	Tag	St	MaxOcc	Level	Name
	SG25	C	9999	1	CNI-SG28-DTM-TSR-SG32-SG43-SG50
	SG50	C	999	2	GID-HAN-FTX-SG52-SG53-SG54
21	HAN	C	1	3	Handling instructions

Standard			Implementation	
Tag	Name	St Format	St Format	Usage / Remark
HAN				
C524	Handling instructions	C	C	
4079	Handling instruction description code	C an..3	C an..3	3 Stacked
1131	Code list identification code	C an..17	N	Not used
3055	Code list responsible agency code	C an..3	N	Not used
4078	Handling instruction description	C an..70	C an..70	
C218	Hazardous material	C	N	
7419	Hazardous material category name code	C an..7	N	Not used
1131	Code list identification code	C an..17	N	Not used
3055	Code list responsible agency code	C an..3	N	Not used
7418	Hazardous material category name	C an..35	N	Not used

Remark:

Example:

HAN+3:::3'

No = Consecutive segment number
 MaxOcc = Maximum occurrence of the segment/group
 St = Status, EDIFACT: M=Mandatory, C=Conditional
 User specific: R=Required, O=Optional, D=Dependent, A=Advised, N=Not used

Segments

No	Tag	St	MaxOcc	Level	Name
	SG25	C	9999	1	CNI-SG28-DTM-TSR-SG32-SG43-SG50
	SG50	C	999	2	GID-HAN-FTX-SG52-SG53-SG54
22	FTX	C	9	3	Free text

Standard			Implementation	
Tag	Name	St Format	St Format	Usage / Remark
FTX				
4451	Text subject code qualifier	M an..3	M an..3	AAA Goods description
4453	Free text function code	C an..3	N	Not used
C107	Text reference	C	N	
4441	Free text value code	M an..17	N	Not used
1131	Code list identification code	C an..17	N	Not used
3055	Code list responsible agency code	C an..3	N	Not used
C108	Text literal	C	C	
4440	Free text value	M an..512	M an..512	
4440	Free text value	C an..512	N	Not used
4440	Free text value	C an..512	N	Not used
4440	Free text value	C an..512	N	Not used
4440	Free text value	C an..512	N	Not used
3453	Language name code	C an..3	N	Not used
4447	Free text format code	C an..3	N	Not used

Remark:

Example:

FTX+AAA+++TMS_EUR280_FULL_KLT'

No = Consecutive segment number
 MaxOcc = Maximum occurrence of the segment/group
 St = Status, EDIFACT: M=Mandatory, C=Conditional
 User specific: R=Required, O=Optional, D=Dependent, A=Advised, N=Not used

Segments

No	Tag	St	MaxOcc	Level	Name
	SG25	C	9999	1	CNI-SG28-DTM-TSR-SG32-SG43-SG50
	SG50	C	999	2	GID-HAN-FTX-SG52-SG53-SG54
	SG52	C	99	3	MEA
23	MEA	M	1	3	Measurements

		Standard	Implementation		
Tag	Name	St Format	St Format	Usage / Remark	
MEA					
6311	Measurement purpose code qualifier	M an..3	M an..3	VOL Volume WT Weights	
C502	Measurement details	C	C		
6313	Measured attribute code	C an..3	C an..3	G Gross weight	
6321	Measurement significance code	C an..3	N	Not used	
6155	Non-discrete measurement name code	C an..17	N	Not used	
6154	Non-discrete measurement name	C an..70	N	Not used	
C174	Value/range	C	C		
6411	Measurement unit code	M an..3	M an..3	KGM kilogram MTQ cubic metre	
6314	Measurement value	C an..18	C an..18		
6162	Range minimum value	C n..18	N	Not used	
6152	Range maximum value	C n..18	N	Not used	
6432	Significant digits quantity	C n..2	N	Not used	
7383	Surface or layer code	C an..3	N	Not used	

Remark:

Example:

MEA+WT+G+KGM:150'

No = Consecutive segment number

MaxOcc = Maximum occurrence of the segment/group

St = Status, EDIFACT: M=Mandatory, C=Conditional

User specific: R=Required, O=Optional, D=Dependent, A=Advised, N=Not used

Segments

No	Tag	St	MaxOcc	Level	Name
	SG25	C	9999	1	CNI-SG28-DTM-TSR-SG32-SG43-SG50
	SG50	C	999	2	GID-HAN-FTX-SG52-SG53-SG54
	SG53	C	99	3	DIM
24	DIM	M	1	3	Dimensions

		Standard	Implementation		
Tag	Name	St Format	St Format	Usage / Remark	
DIM					
6145	Dimension type code qualifier	M an..3	M an..3	1 Gross dimensions	
C211	Dimensions	M	M		
6411	Measurement unit code	M an..3	M an..3	MTR metre	
6168	Length dimension value	C n..15	C n..15		
6140	Width dimension value	C n..15	C n..15		
6008	Height dimension value	C n..15	C n..15		

Remark:

Example:

DIM+1+MTR:1.2:0.8:0.28'

No = Consecutive segment number

MaxOcc = Maximum occurrence of the segment/group

St = Status, EDIFACT: M=Mandatory, C=Conditional

User specific: R=Required, O=Optional, D=Dependent, A=Advised, N=Not used

Segments

No	Tag	St	MaxOcc	Level	Name
	SG25	C	9999	1	CNI-SG28-DTM-TSR-SG32-SG43-SG50
	SG50	C	999	2	GID-HAN-FTX-SG52-SG53-SG54
	SG54	C	9	3	RFF
25	RFF	M	1	3	Reference

Standard			Implementation	
Tag	Name	St Format	St Format	Usage / Remark
RFF				
C506	Reference	M	M	
1153	Reference code qualifier	M an..3	M an..3	CW Package number
1154	Reference identifier	C an..70	C an..70	
1156	Document line identifier	C an..6	N	Not used
4000	Reference version identifier	C an..35	N	Not used
1060	Revision identifier	C an..6	N	Not used

Remark:

Example:

RFF+CW:TMS_EUR280_FULL_KLT'

No = Consecutive segment number
 MaxOcc = Maximum occurrence of the segment/group
 St = Status, EDIFACT: M=Mandatory, C=Conditional
 User specific: R=Required, O=Optional, D=Dependent, A=Advised, N=Not used

Segments

No	Tag	St	MaxOcc	Level	Name
26	UNT	M	1	0	Message trailer

		Standard	Implementation	
Tag	Name	St Format	St Format	Usage / Remark
UNT				
0074	Number of segments in the message	M n..6	M n..6	
0062	Message reference number	M an..14	M an..14	

Remark:

Example:
UNT+55+1'

No = Consecutive segment number
 MaxOcc = Maximum occurrence of the segment/group
 St = Status, EDIFACT: M=Mandatory, C=Conditional
 User specific: R=Required, O=Optional, D=Dependent, A=Advised, N=Not used

Segments

No	Tag	St	MaxOcc	Level	Name
----	-----	----	--------	-------	------

27	UNZ	M	1	0	Interchange trailer
----	------------	---	---	---	---------------------

Standard			Implementation	
Tag	Name	St Format	St Format	Usage / Remark
UNZ				
0036	Interchange control count	M n..6	M n..6	
0020	Interchange control reference	M an..14	M an..14	

Remark:

Example:

UNZ+1+4491'

No = Consecutive segment number
 MaxOcc = Maximum occurrence of the segment/group
 St = Status, EDIFACT: M=Mandatory, C=Conditional
 User specific: R=Required, O=Optional, D=Dependent, A=Advised, N=Not used