

Message Implementation Guideline

EDIFACT ORDERS

based on

ORDERS

Purchase order message

UN D.97A S3

Version:	2
Variant:	s
Issue date:	09.03.2005
Author:	BROSE-EDI

Structure / Table of Contents

No	Tag	St	MaxOcc	Level	Content
1	UNA	R	1	0	SERVICE STRING ADVICE
2	UNB	M	1	0	INTERCHANGE HEADER
3	UNH	M	1	0	MESSAGE HEADER
4	BGM	M	1	0	BEGINNING OF MESSAGE
5	DTM	M	35	1	DATE/TIME/PERIOD
6	FTX	R	99	1	FREE TEXT
	SG1	R	9999	1	RFF-DTM
7	RFF	M	1	1	REFERENCE
8	DTM	R	5	2	DATE/TIME/PERIOD
	SG2	R	99	1	NAD-SG5
9	NAD	M	1	1	NAME AND ADDRESS
	SG5	R	5	2	CTA-COM
10	CTA	M	1	2	CONTACT INFORMATION
11	COM	R	5	3	COMMUNICATION CONTACT
	SG7	R	5	1	CUX
12	CUX	M	1	1	CURRENCIES
	SG12	R	5	1	TOD
13	TOD	M	1	1	TERMS OF DELIVERY OR TRANSPORT
	SG28	R	200000	1	LIN-PIA-IMD-QTY-MOA-FTX-SG32-SG33-SG39-SG53
14	LIN	M	1	1	LINE ITEM
15	PIA	R	25	2	ADDITIONAL PRODUCT ID
16	IMD	R	99	2	ITEM DESCRIPTION
17	QTY	R	99	2	QUANTITY
18	MOA	C	10	2	MONETARY AMOUNT
19	FTX	R	99	2	FREE TEXT
	SG32	C	25	2	PRI
20	PRI	M	1	2	PRICE DETAILS
	SG33	R	9999	2	RFF-DTM
21	RFF	M	1	2	REFERENCE
22	DTM	R	5	3	DATE/TIME/PERIOD
	SG39	C	999	2	NAD-SG42
23	NAD	M	1	2	NAME AND ADDRESS
	SG42	R	5	3	CTA-COM
24	CTA	M	1	3	CONTACT INFORMATION
25	COM	R	5	4	COMMUNICATION CONTACT
	SG53	R	100	2	SCC-SG54
26	SCC	M	1	2	SCHEDULING CONDITIONS
	SG54	C	10	3	QTY-DTM
27	QTY	R	1	3	QUANTITY
28	DTM	R	5	4	DATE/TIME/PERIOD
29	UNS	M	1	0	SECTION CONTROL
30	MOA	C	12	1	MONETARY AMOUNT
31	UNT	M	1	0	MESSAGE TRAILER

No = Consecutive segment number, MaxOcc = Maximum occurrence of the segment/group

St = Status, EDIFACT: M=Mandatory, C=Conditional

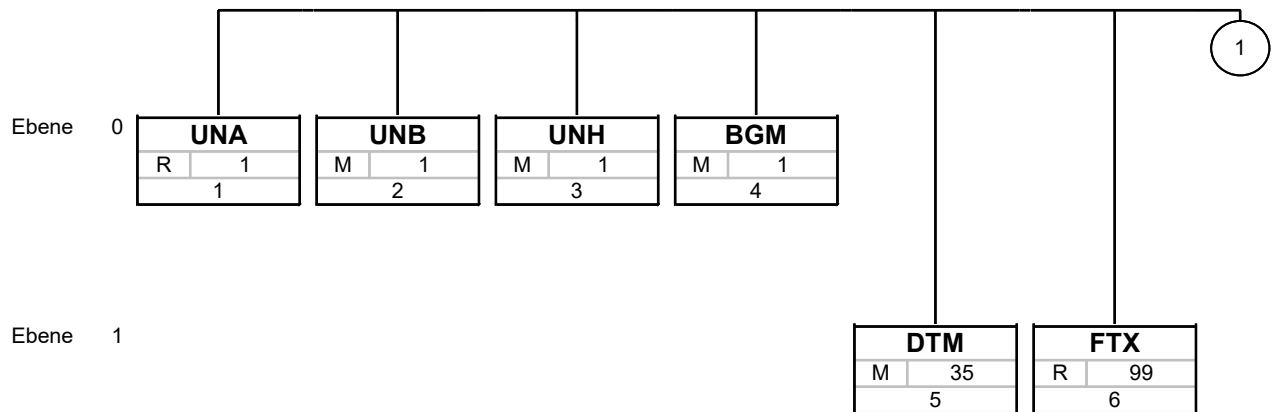
User specific: R=Required, O=Optional, D=Dependent, A=Advised, N=Not used

Structure / Table of Contents

No	Tag	St	MaxOcc	Level	Content
32	UNZ	M	1	0	INTERCHANGE TRAILER

No = Consecutive segment number, MaxOcc = Maximum occurrence of the segment/group
St = Status, EDIFACT: M=Mandatory, C=Conditional
User specific: R=Required, O=Optional, D=Dependent, A=Advised, N=Not used

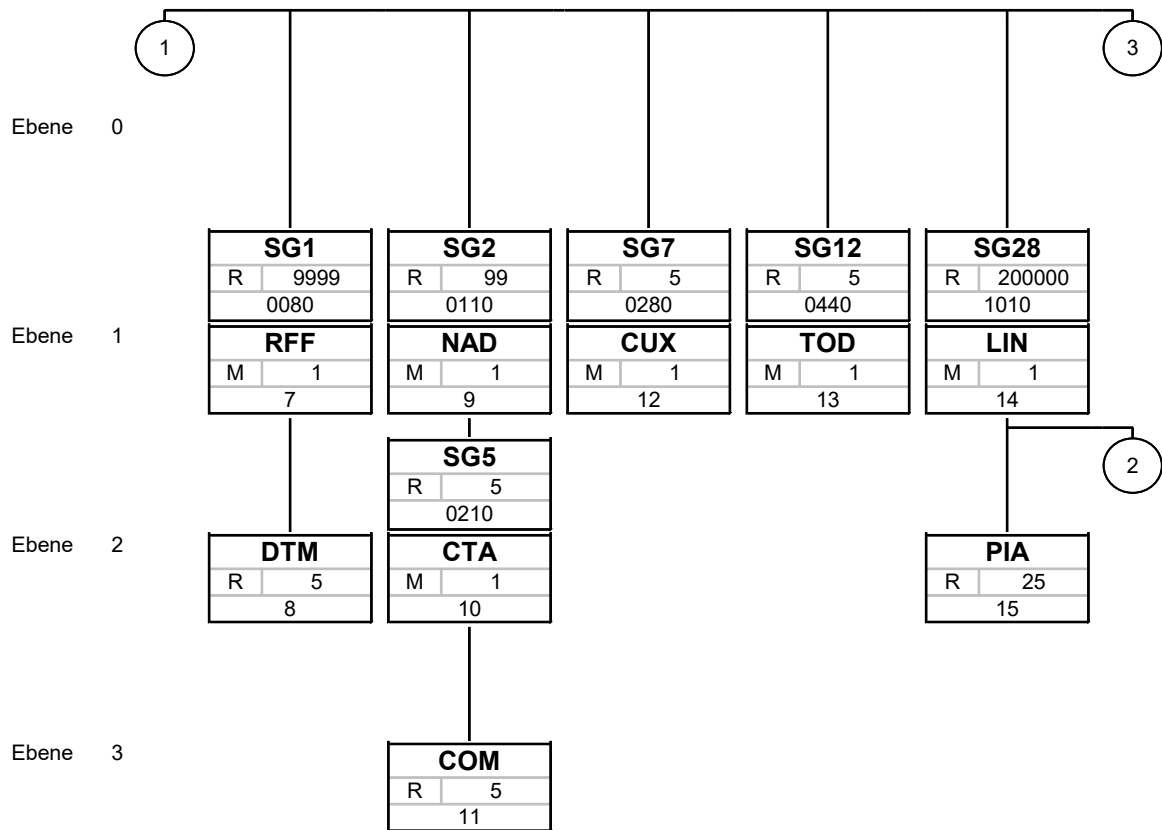
Branching Diagram of Used Segments/Groups



Bez
St MaxWdh
Nr

Tag = Segment/Group Tag
 St = Status (M=Mandatory, C=Conditional, R=Required, O=Optional, A=Advised, D=Dependent)
 MaxOcc = Maximum occurrence of the segment/group
 No = Consecutive segment number

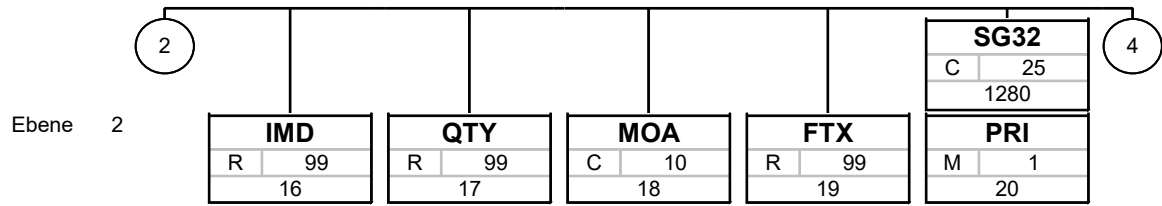
Branching Diagram of Used Segments/Groups



Bez
St MaxWdh
Nr

Tag = Segment/Group Tag
 St = Status (M=Mandatory, C=Conditional, R=Required, O=Optional, A=Advised, D=Dependent)
 MaxOcc = Maximum occurrence of the segment/group
 No = Consecutive segment number

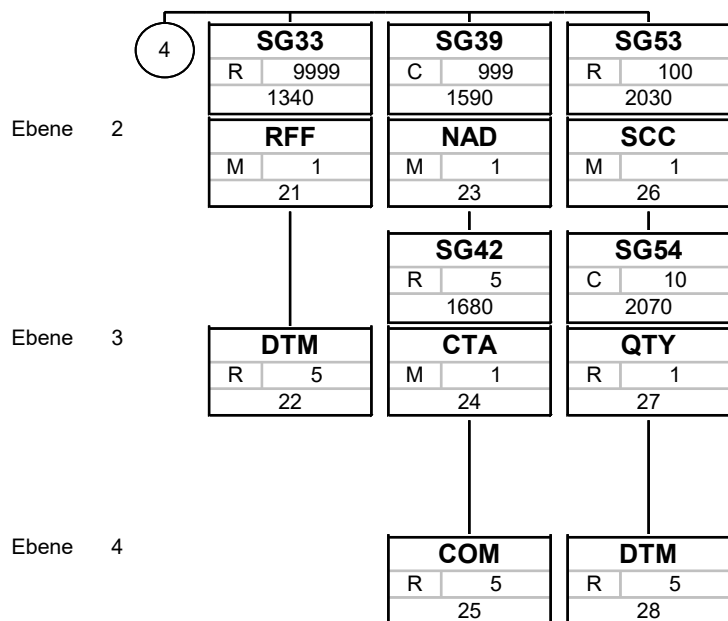
Branching Diagram of Used Segments/Groups



Bez
St MaxWdh
Nr

Tag = Segment/Group Tag
 St = Status (M=Mandatory, C=Conditional, R=Required, O=Optional, A=Advised, D=Dependent)
 MaxOcc = Maximum occurrence of the segment/group
 No = Consecutive segment number

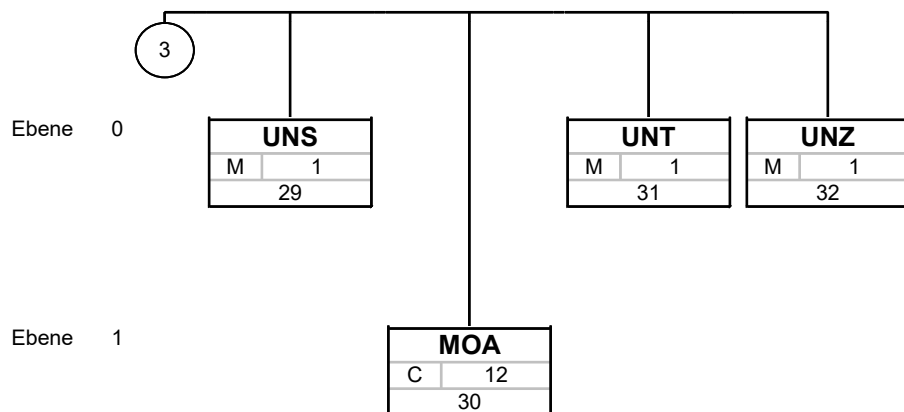
Branching Diagram of Used Segments/Groups



Bez
St MaxWdh
Nr

Tag = Segment/Group Tag
 St = Status (M=Mandatory, C=Conditional, R=Required, O=Optional, A=Advised, D=Dependent)
 MaxOcc = Maximum occurrence of the segment/group
 No = Consecutive segment number

Branching Diagram of Used Segments/Groups



Bez
St MaxWdh
Nr

Tag = Segment/Group Tag
 St = Status (M=Mandatory, C=Conditional, R=Required, O=Optional, A=Advised, D=Dependent)
 MaxOcc = Maximum occurrence of the segment/group
 No = Consecutive segment number

Segments

No	Tag	St	MaxOcc	Level	Name
----	-----	----	--------	-------	------

1	UNA	R	1	0	SERVICE STRING ADVICE
---	------------	---	---	---	-----------------------

Standard			Implementation	
Tag	Name	St Format	St Format	Usage / Remark
UNA				
UNA1	Component data element separator	M an1	M an1	: Colon
UNA2	Data element separator	M an1	M an1	+ Plus sign
UNA3	Decimal notation	M an1	M an1	. Point
UNA4	Release indicator	M an1	M an1	? Question mark
UNA5	Reserved for future use	M an1	M an1	Blank
UNA6	Segment terminator	M an1	M an1	' Apostrophe

Remark:

Example:

UNA:+.?'

No = Consecutive segment number
 MaxOcc = Maximum occurrence of the segment/group
 St = Status, EDIFACT: M=Mandatory, C=Conditional
 User specific: R=Required, O=Optional, D=Dependent, A=Advised, N=Not used

Segments

No	Tag	St	MaxOcc	Level	Name
----	-----	----	--------	-------	------

2	UNB	M	1	0	INTERCHANGE HEADER
---	------------	---	---	---	--------------------

		Standard	Implementation		
Tag	Name	St Format	St Format	Usage / Remark	
UNB					
S001	SYNTAX IDENTIFIER	M	M		
0001	Syntax identifier	M a4	M a4	UNOC; UN/ECE level C	
0002	Syntax version number	M n1	M n1	2; Version 2	
S002	INTERCHANGE SENDER	M	M		
0004	Sender identification	M an..35	M an..35	BROSEKG	
0007	Partner identification code qualifier	C an..4	R an..4	ZZ	
0008	Address for reverse routing	C an..14	N	Not used	
S003	INTERCHANGE RECIPIENT	M	M		
0010	Recipient identification	M an..35	M an..35		
0007	Partner identification code qualifier	C an..4	R an..4		
0014	Routing address	C an..14	N	Not used	
S004	DATE/TIME OF PREPARATION	M	M		
0017	Date of preparation	M n6	M n6		
0019	Time of preparation	M n4	M n4		
0020	Interchange control reference	M an..14	M an..14	Unique reference assigned by the sender to an interchange.	
S005	RECIPIENT'S REFERENCE PASSWORD	C	N		
0022	Recipient's reference/password	M an..14	N	Not used	
0025	Recipient's reference/password qualifier	C an2	N	Not used	
0026	Application reference	C an..14	N	Not used	
0029	Processing priority code	C a1	N	Not used	
0031	Acknowledgement request	C n1	N	Not used	
0032	Communications agreement ID	C an..35	N	Not used	
0035	Test indicator	C n1	N	Not used	

Remark:

Example:

UNB+UNOC:2+BROSEKG:ZZ+5013546005195:1+050926:0925+000000001'

No = Consecutive segment number
 MaxOcc = Maximum occurrence of the segment/group
 St = Status, EDIFACT: M=Mandatory, C=Conditional
 User specific: R=Required, O=Optional, D=Dependent, A=Advised, N=Not used

Segments

No	Tag	St	MaxOcc	Level	Name
----	-----	----	--------	-------	------

3	UNH	M	1	0	MESSAGE HEADER
---	------------	---	---	---	----------------

		Standard	Implementation		
Tag	Name	St Format	St Format	Usage / Remark	
UNH					
0062	Message reference number	M an..14	M an..14		
S009	MESSAGE IDENTIFIER	M	M		
0065	Message type identifier	M an..6	M an..6	ORDERS ; Purchase order message	
0052	Message type version number	M an..3	M an..3	D ; Draft version/UN/EDIFACT directory	
0054	Message type release number	M an..3	M an..3	97A ; Release 1997 - A	
0051	Controlling agency	M an..2	M an..2	UN ; UN/ECE/TRADE/WP.4	
0057	Association assigned code	C an..6	N	Not used	
0068	Common access reference	C an..35	N	Not used	
S010	STATUS OF THE TRANSFER	C	N		
0070	Sequence message transfer number	M n..2	N	Not used	
0073	First/last sequence message transfer indication	C a1	N	Not used	

Remark:

Example:

UNH+1+ORDERS:D:97A:UN'

No = Consecutive segment number
 MaxOcc = Maximum occurrence of the segment/group
 St = Status, EDIFACT: M=Mandatory, C=Conditional
 User specific: R=Required, O=Optional, D=Dependent, A=Advised, N=Not used

Segments

No	Tag	St	MaxOcc	Level	Name
----	-----	----	--------	-------	------

4	BGM	M	1	0	BEGINNING OF MESSAGE
---	------------	---	---	---	-----------------------------

		Standard	Implementation		
Tag	Name	St Format	St Format	Usage / Remark	
BGM					
C002	DOCUMENT/MESSAGE NAME	C	C		
1001	Document/message name, coded	C an..3	R an..3	220; Order	
1131	Code list qualifier	C an..3	N	Not used	
3055	Code list responsible agency, coded	C an..3	N	Not used	
1000	Document/message name	C an..35	C an..35	Document type	
C106 DOCUMENT/MESSAGE IDENTIFICATION					
1004	Document/message number	C an..35	R an..35		
1056	Version	C an..9	N	Not used	
1060	Revision number	C an..6	N	Not used	
1225	Message function, coded	C an..3	C an..3	9; Original	
4343	Response type, coded	C an..3	N	Not used	

Remark:

Example:

BGM+220:::ECPO+4400055240+9'

No = Consecutive segment number
 MaxOcc = Maximum occurrence of the segment/group
 St = Status, EDIFACT: M=Mandatory, C=Conditional
 User specific: R=Required, O=Optional, D=Dependent, A=Advised, N=Not used

Segments

No	Tag	St	MaxOcc	Level	Name
----	-----	----	--------	-------	------

5	DTM	M	35	1	DATE/TIME/PERIOD
---	------------	---	----	---	------------------

Standard			Implementation	
Tag	Name	St Format	St Format	Usage / Remark
DTM				
C507	DATE/TIME/PERIOD	M	M	
2005	Date/time/period qualifier	M an..3	M an..3	137; Document/message date/time
2380	Date/time/period	C an..35	R an..35	
2379	Date/time/period format qualifier	C an..3	R an..3	203; CCYYMMDDHHMM

Remark:

Example:

DTM+137:200509260925:203'

No = Consecutive segment number
 MaxOcc = Maximum occurrence of the segment/group
 St = Status, EDIFACT: M=Mandatory, C=Conditional
 User specific: R=Required, O=Optional, D=Dependent, A=Advised, N=Not used

Segments

No	Tag	St	MaxOcc	Level	Name
----	-----	----	--------	-------	------

6 **FTX** R 99 1 **FREE TEXT**

		Standard	Implementation	
Tag	Name	St Format	St Format	Usage / Remark
FTX				
4451	Text subject qualifier	M an..3	M an..3	AAI ; General information
4453	Text function, coded	C an..3	N	Not used
C107	TEXT REFERENCE	C	N	
4441	Free text identification	M an..17	N	Not used
1131	Code list qualifier	C an..3	N	Not used
3055	Code list responsible agency, coded	C an..3	N	Not used
C108	TEXT LITERAL	C	C	
4440	Free text	M an..70	M an..70	Header texts up to 99 repetitions
4440	Free text	C an..70	N	Not used
4440	Free text	C an..70	N	Not used
4440	Free text	C an..70	N	Not used
4440	Free text	C an..70	N	Not used
3453	Language, coded	C an..3	N	Not used

Remark:

Example:

FTX+AAI+++KOPFTEXTE BIS 99 WIEDERHOLUNGEN'

No = Consecutive segment number
 MaxOcc = Maximum occurrence of the segment/group
 St = Status, EDIFACT: M=Mandatory, C=Conditional
 User specific: R=Required, O=Optional, D=Dependent, A=Advised, N=Not used

Segments

No	Tag	St	MaxOcc	Level	Name
	SG1	R	9999	1	RFF-DTM
7	RFF	M	1	1	REFERENCE

Standard			Implementation	
Tag	Name	St Format	St Format	Usage / Remark
RFF				
C506	REFERENCE	M	M	
1153	Reference qualifier	M an..3	M an..3	ON; Order number
1154	Reference number	C an..35	R an..35	
1156	Line number	C an..6	N	Not used
4000	Reference version number	C an..35	N	Not used

Remark:

Example:

RFF+ON:4400055240'

No = Consecutive segment number
 MaxOcc = Maximum occurrence of the segment/group
 St = Status, EDIFACT: M=Mandatory, C=Conditional
 User specific: R=Required, O=Optional, D=Dependent, A=Advised, N=Not used

Segments

No	Tag	St	MaxOcc	Level	Name
	SG1	R	9999	1	RFF-DTM
8	DTM	R	5	2	DATE/TIME/PERIOD

Standard			Implementation	
Tag	Name	St Format	St Format	Usage / Remark
DTM				
C507	DATE/TIME/PERIOD	M	M	
2005	Date/time/period qualifier	M an..3	M an..3	171; Reference date/time
2380	Date/time/period	C an..35	R an..35	
2379	Date/time/period format qualifier	C an..3	C an..3	102; CCYYMMDD

Remark:

Example:

DTM+171:20050926:102'

No = Consecutive segment number
 MaxOcc = Maximum occurrence of the segment/group
 St = Status, EDIFACT: M=Mandatory, C=Conditional
 User specific: R=Required, O=Optional, D=Dependent, A=Advised, N=Not used

Segments

No	Tag	St	MaxOcc	Level	Name
	SG2	R	99	1	NAD-SG5
9	NAD	M	1	1	NAME AND ADDRESS

Standard			Implementation	
Tag	Name	St Format	St Format	Usage / Remark
NAD				
3035	Party qualifier	M an..3	M an..3	SU; Supplier BY; Buyer ST; Ship to
C082	PARTY IDENTIFICATION DETAILS	C	R	
3039	Party id. identification	M an..35	M an..35	
1131	Code list qualifier	C an..3	N	Not used
3055	Code list responsible agency, coded	C an..3	R an..3	91; Assigned by seller or seller's agent 92; Assigned by buyer or buyer's agent
C058	NAME AND ADDRESS	C	N	
3124	Name and address line	M an..35	N	Not used
3124	Name and address line	C an..35	N	Not used
3124	Name and address line	C an..35	N	Not used
3124	Name and address line	C an..35	N	Not used
3124	Name and address line	C an..35	N	Not used
C080	PARTY NAME	C	N	
3036	Party name	M an..35	N	Not used
3036	Party name	C an..35	N	Not used
3036	Party name	C an..35	N	Not used
3036	Party name	C an..35	N	Not used
3036	Party name	C an..35	N	Not used
3045	Party name format, coded	C an..3	N	Not used
C059	STREET	C	N	
3042	Street and number/p.o. box	M an..35	N	Not used
3042	Street and number/p.o. box	C an..35	N	Not used
3042	Street and number/p.o. box	C an..35	N	Not used
3042	Street and number/p.o. box	C an..35	N	Not used
3164	City name	C an..35	N	Not used
3229	Country sub-entity identification	C an..9	N	Not used
3251	Postcode identification	C an..9	N	Not used
3207	Country, coded	C an..3	N	Not used

Remark:

Example:

NAD+SU+0000000012:::92'

No = Consecutive segment number
 MaxOcc = Maximum occurrence of the segment/group
 St = Status, EDIFACT: M=Mandatory, C=Conditional
 User specific: R=Required, O=Optional, D=Dependent, A=Advised, N=Not used

Segments

No	Tag	St	MaxOcc	Level	Name
	SG2	R	99	1	NAD-SG5
	SG5	R	5	2	CTA-COM
10	CTA	M	1	2	CONTACT INFORMATION

Standard			Implementation	
Tag	Name	St Format	St Format	Usage / Remark
CTA				
3139	Contact function, coded	C an..3	C an..3	IC; Information Contact
C056	DEPARTMENT OR EMPLOYEE DETAILS	C	C	
3413	Department or employee identification	C an..17	C an..17	
3412	Department or employee	C an..35	N	Not used

Remark:

Example:

CTA+IC+NAME, VORNAME '

No = Consecutive segment number
 MaxOcc = Maximum occurrence of the segment/group
 St = Status, EDIFACT: M=Mandatory, C=Conditional
 User specific: R=Required, O=Optional, D=Dependent, A=Advised, N=Not used

Segments

No	Tag	St	MaxOcc	Level	Name
	SG2	R	99	1	NAD-SG5
	SG5	R	5	2	CTA-COM
11	COM	R	5	3	COMMUNICATION CONTACT

Standard			Implementation	
Tag	Name	St Format	St Format	Usage / Remark
COM				
C076	COMMUNICATION CONTACT	M	M	
3148	Communication number	M an..512	M an..512	
3155	Communication channel qualifier	M an..3	M an..3	TE; Telephone FX; Telefax EM; E-Mail

Remark:

Example:

COM+01234 / 1234:TE'

No = Consecutive segment number
 MaxOcc = Maximum occurrence of the segment/group
 St = Status, EDIFACT: M=Mandatory, C=Conditional
 User specific: R=Required, O=Optional, D=Dependent, A=Advised, N=Not used

Segments

No	Tag	St	MaxOcc	Level	Name
	SG7	R	5	1	CUX
12	CUX	M	1	1	CURRENCIES

Standard			Implementation	
Tag	Name	St Format	St Format	Usage / Remark
CUX				
C504	CURRENCY DETAILS	C	C	
6347	Currency details qualifier	M an..3	M an..3	2 ; Reference currency
6345	Currency, coded	C an..3	C an..3	Further codes can be found in the EDIFACT code list CAD; Canadian Dollar (\$, C \$, kan\$) CYD; Chinese Yuan (¥) CZK; Czech Koruna (Kč) EUR; European Euro (€) GBP; Pound sterling (£) USD; US Dollar (\$)
6343	Currency qualifier	C an..3	N	Not used
6348	Currency rate base	C n..4	N	Not used
C504	CURRENCY DETAILS	C	N	
6347	Currency details qualifier	M an..3	N	Not used
6345	Currency, coded	C an..3	N	Not used
6343	Currency qualifier	C an..3	N	Not used
6348	Currency rate base	C n..4	N	Not used
5402	Rate of exchange	C n..12	N	Not used
6341	Currency market exchange, coded	C an..3	N	Not used

Remark:

Example:

CUX+2:EUR'

No = Consecutive segment number
 MaxOcc = Maximum occurrence of the segment/group
 St = Status, EDIFACT: M=Mandatory, C=Conditional
 User specific: R=Required, O=Optional, D=Dependent, A=Advised, N=Not used

Segments

No	Tag	St	MaxOcc	Level	Name
	SG12	R	5	1	TOD
13	TOD	M	1	1	TERMS OF DELIVERY OR TRANSPORT

Standard			Implementation	
Tag	Name	St Format	St Format	Usage / Remark
TOD				
4055	Terms of delivery or transport function, coded	C an..3	R an..3	6; Delivery condition
4215	Transport charges method of payment, coded	C an..3	R an..3	
C100	TERMS OF DELIVERY OR TRANSPORT	C	R	
4053	Terms of delivery or transport, coded	C an..3	R an..3	Further codes can be found in the EDIFACT code list CFR; Cost and freight CPT; Freight, Carriage paid to destination DAP; Delivered at place DDP; Delivery duty paid DDU; Delivered duty unpaid EXW; Ex works FCA; Free carrier SER; Service
1131	Code list qualifier	C an..3	N	Not used
3055	Code list responsible agency, coded	C an..3	N	Not used
4052	Terms of delivery or transport	C an..70	N	Not used
4052	Terms of delivery or transport	C an..70	N	Not used

Remark:

Example:

TOD+6++CPT'

No = Consecutive segment number

MaxOcc = Maximum occurrence of the segment/group

St = Status, EDIFACT: M=Mandatory, C=Conditional

User specific: R=Required, O=Optional, D=Dependent, A=Advised, N=Not used

Segments

No	Tag	St	MaxOcc	Level	Name
	SG28	R	200000	1	LIN-PIA-IMD-QTY-MOA-FTX-SG32-SG33-SG39-SG53
14	LIN	M	1	1	LINE ITEM

Standard			Implementation	
Tag	Name	St Format	St Format	Usage / Remark
LIN				
1082	Line item number	C an..6	R an..6	
1229	Action request/notification, coded	C an..3	R an..3	
C212	ITEM NUMBER IDENTIFICATION	C	R	
7140	Item number	C an..35	R an..35	
7143	Item number type, coded	C an..3	R an..3	IN; Buyer's item number
1131	Code list qualifier	C an..3	N	Not used
3055	Code list responsible agency, coded	C an..3	N	Not used
C829	SUB-LINE INFORMATION	C	N	
5495	Sub-line indicator, coded	C an..3	N	Not used
1082	Line item number	C an..6	N	Not used
1222	Configuration level	C n..2	N	Not used
7083	Configuration, coded	C an..3	N	Not used

Remark:

Example:

LIN+1+1+:IN'

No = Consecutive segment number
 MaxOcc = Maximum occurrence of the segment/group
 St = Status, EDIFACT: M=Mandatory, C=Conditional
 User specific: R=Required, O=Optional, D=Dependent, A=Advised, N=Not used

Segments

No	Tag	St	MaxOcc	Level	Name
	SG28	R	200000	1	LIN-PIA-IMD-QTY-MOA-FTX-SG32-SG33-SG39-SG53
15	PIA	R	25	2	ADDITIONAL PRODUCT ID

Standard			Implementation	
Tag	Name	St Format	St Format	Usage / Remark
PIA				
4347	Product id. function qualifier	M an..3	M an..3	1 ; Additional information
C212	ITEM NUMBER IDENTIFICATION	M	M	
7140	Item number	C an..35	R an..35	
7143	Item number type, coded	C an..3	R an..3	SA; Supplier's article number
1131	Code list qualifier	C an..3	N	Not used
3055	Code list responsible agency, coded	C an..3	N	Not used
C212	ITEM NUMBER IDENTIFICATION	C	N	
7140	Item number	C an..35	N	Not used
7143	Item number type, coded	C an..3	N	Not used
1131	Code list qualifier	C an..3	N	Not used
3055	Code list responsible agency, coded	C an..3	N	Not used
C212	ITEM NUMBER IDENTIFICATION	C	N	
7140	Item number	C an..35	N	Not used
7143	Item number type, coded	C an..3	N	Not used
1131	Code list qualifier	C an..3	N	Not used
3055	Code list responsible agency, coded	C an..3	N	Not used
C212	ITEM NUMBER IDENTIFICATION	C	N	
7140	Item number	C an..35	N	Not used
7143	Item number type, coded	C an..3	N	Not used
1131	Code list qualifier	C an..3	N	Not used
3055	Code list responsible agency, coded	C an..3	N	Not used

Remark:

Example:

PIA+1+252480 VS:SA'

No = Consecutive segment number
 MaxOcc = Maximum occurrence of the segment/group
 St = Status, EDIFACT: M=Mandatory, C=Conditional
 User specific: R=Required, O=Optional, D=Dependent, A=Advised, N=Not used

Segments

No	Tag	St	MaxOcc	Level	Name
	SG28	R	200000	1	LIN-PIA-IMD-QTY-MOA-FTX-SG32-SG33-SG39-SG53
16	IMD	R	99	2	ITEM DESCRIPTION

Standard			Implementation	
Tag	Name	St Format	St Format	Usage / Remark
IMD				
7077	Item description type, coded	C an..3	N	Not used
7081	Item characteristic, coded	C an..3	N	Not used
C273	ITEM DESCRIPTION	C	R	
7009	Item description identification	C an..17	N	Not used
1131	Code list qualifier	C an..3	N	Not used
3055	Code list responsible agency, coded	C an..3	N	Not used
7008	Item description	C an..35	R an..35	
7008	Item description	C an..35	N	Not used
3453	Language, coded	C an..3	N	Not used
7383	Surface/layer indicator, coded	C an..3	N	Not used

Remark:

Example:

IMD+++:::SCHNELLHEFTER DURABLE 2580 GRAU'

No = Consecutive segment number
 MaxOcc = Maximum occurrence of the segment/group
 St = Status, EDIFACT: M=Mandatory, C=Conditional
 User specific: R=Required, O=Optional, D=Dependent, A=Advised, N=Not used

Segments

No	Tag	St	MaxOcc	Level	Name
	SG28	R	200000	1	LIN-PIA-IMD-QTY-MOA-FTX-SG32-SG33-SG39-SG53
17	QTY	R	99	2	QUANTITY

Standard			Implementation	
Tag	Name	St Format	St Format	Usage / Remark
QTY				
C186	QUANTITY DETAILS	M	R	
6063	Quantity qualifier	M an..3	M an..3	21; Ordered quantity
6060	Quantity	M n..15	M n..15	
6411	Measure unit qualifier	C an..3	R an..3	Further codes can be found in the EDIFACT code list BG; Bag BX; Box C62; One EA; Each LE; Service unit MTR; Meter PAK; Pack PCE; Piece SET; Set

Remark:

Example:

QTY+21:10:PCE'

No = Consecutive segment number
 MaxOcc = Maximum occurrence of the segment/group
 St = Status, EDIFACT: M=Mandatory, C=Conditional
 User specific: R=Required, O=Optional, D=Dependent, A=Advised, N=Not used

Segments

No	Tag	St	MaxOcc	Level	Name
	SG28	R	200000	1	LIN-PIA-IMD-QTY-MOA-FTX-SG32-SG33-SG39-SG53
18	MOA	C	10	2	MONETARY AMOUNT

Standard			Implementation	
Tag	Name	St Format	St Format	Usage / Remark
MOA				
C516	MONETARY AMOUNT	M	M	
5025	Monetary amount type qualifier	M an..3	M an..3	66; Goods item total
5004	Monetary amount	C n..18	C n..18	
6345	Currency, coded	C an..3	N	Not used
6343	Currency qualifier	C an..3	N	Not used
4405	Status, coded	C an..3	N	Not used

Remark:

Example:

MOA+66:2.99'

No = Consecutive segment number
 MaxOcc = Maximum occurrence of the segment/group
 St = Status, EDIFACT: M=Mandatory, C=Conditional
 User specific: R=Required, O=Optional, D=Dependent, A=Advised, N=Not used

Segments

No	Tag	St	MaxOcc	Level	Name
	SG28	R	200000	1	LIN-PIA-IMD-QTY-MOA-FTX-SG32-SG33-SG39-SG53
19	FTX	R	99	2	FREE TEXT

Standard			Implementation	
Tag	Name	St Format	St Format	Usage / Remark
FTX				
4451	Text subject qualifier	M an..3	M an..3	ACF; Additional attribute information
4453	Text function, coded	C an..3	R an..3	
C107	TEXT REFERENCE	C	R	
4441	Free text identification	M an..17	N	Not used
1131	Code list qualifier	C an..3	N	Not used
3055	Code list responsible agency, coded	C an..3	N	Not used
C108	TEXT LITERAL	C	C	
4440	Free text	M an..70	M an..70	Position texts up to 99 repetitions
4440	Free text	C an..70	N	Not used
4440	Free text	C an..70	N	Not used
4440	Free text	C an..70	N	Not used
4440	Free text	C an..70	N	Not used
3453	Language, coded	C an..3	N	Not used

Remark:

Example:

FTX+ACF+++POSITIONSTEXTE BIS 99 WIEDERHOLUNGEN'

No = Consecutive segment number
 MaxOcc = Maximum occurrence of the segment/group
 St = Status, EDIFACT: M=Mandatory, C=Conditional
 User specific: R=Required, O=Optional, D=Dependent, A=Advised, N=Not used

Segments

No	Tag	St	MaxOcc	Level	Name
	SG28	R	200000	1	LIN-PIA-IMD-QTY-MOA-FTX-SG32-SG33-SG39-SG53
	SG32	C	25	2	PRI
20	PRI	M	1	2	PRICE DETAILS

Standard			Implementation	
Tag	Name	St Format	St Format	Usage / Remark
PRI				
C509	PRICE INFORMATION	C	C	
5125	Price qualifier	M an..3	M an..3	AAA; Calculation net
5118	Price	C n..15	C n..15	
5375	Price type, coded	C an..3	N	Not used
5387	Price type qualifier	C an..3	N	Not used
5284	Unit price basis	C n..9	N	Not used
6411	Measure unit qualifier	C an..3	N	Not used
5213	Sub-line price change, coded	C an..3	N	Not used

Remark:

Example:

PRI+AAA:2.99'

No = Consecutive segment number
 MaxOcc = Maximum occurrence of the segment/group
 St = Status, EDIFACT: M=Mandatory, C=Conditional
 User specific: R=Required, O=Optional, D=Dependent, A=Advised, N=Not used

Segments

No	Tag	St	MaxOcc	Level	Name
	SG28	R	200000	1	LIN-PIA-IMD-QTY-MOA-FTX-SG32-SG33-SG39-SG53
	SG33	R	9999	2	RFF-DTM
21	RFF	M	1	2	REFERENCE

		Standard	Implementation	
Tag	Name	St Format	St Format	Usage / Remark
RFF				
C506	REFERENCE	M	M	
1153	Reference qualifier	M an..3	M an..3	ON; Order number (purchase)
1154	Reference number	C an..35	R an..35	
1156	Line number	C an..6	R an..6	
4000	Reference version number	C an..35	N	Not used

Remark:

Example:

RFF+ON:4400055240:00001'

No = Consecutive segment number
 MaxOcc = Maximum occurrence of the segment/group
 St = Status, EDIFACT: M=Mandatory, C=Conditional
 User specific: R=Required, O=Optional, D=Dependent, A=Advised, N=Not used

Segments

No	Tag	St	MaxOcc	Level	Name
	SG28	R	200000	1	LIN-PIA-IMD-QTY-MOA-FTX-SG32-SG33-SG39-SG53
	SG33	R	9999	2	RFF-DTM
22	DTM	R	5	3	DATE/TIME/PERIOD

Standard			Implementation	
Tag	Name	St Format	St Format	Usage / Remark
DTM				
C507	DATE/TIME/PERIOD	M	M	
2005	Date/time/period qualifier	M an..3	M an..3	171; Reference date/time
2380	Date/time/period	C an..35	R an..35	
2379	Date/time/period format qualifier	C an..3	R an..3	102; CCYYMMDD

Remark:

Example:

DTM+171:20050926:102'

No = Consecutive segment number
 MaxOcc = Maximum occurrence of the segment/group
 St = Status, EDIFACT: M=Mandatory, C=Conditional
 User specific: R=Required, O=Optional, D=Dependent, A=Advised, N=Not used

Segments

No	Tag	St	MaxOcc	Level	Name
	SG28	R	200000	1	LIN-PIA-IMD-QTY-MOA-FTX-SG32-SG33-SG39-SG53
	SG39	C	999	2	NAD-SG42
23	NAD	M	1	2	NAME AND ADDRESS

Standard			Implementation	
Tag	Name	St Format	St Format	Usage / Remark
NAD				
3035	Party qualifier	M an..3	M an..3	ST; Ship to
C082	PARTY IDENTIFICATION DETAILS	C	C	
3039	Party id. identification	M an..35	M an..35	
1131	Code list qualifier	C an..3	N	Not used
3055	Code list responsible agency, coded	C an..3	C an..3	92; Assigned by buyer or buyer's agent
C058	NAME AND ADDRESS	C	C	
3124	Name and address line	M an..35	M an..35	
3124	Name and address line	C an..35	N	Not used
3124	Name and address line	C an..35	N	Not used
3124	Name and address line	C an..35	N	Not used
3124	Name and address line	C an..35	N	Not used
C080	PARTY NAME	C	N	
3036	Party name	M an..35	N	Not used
3036	Party name	C an..35	N	Not used
3036	Party name	C an..35	N	Not used
3036	Party name	C an..35	N	Not used
3036	Party name	C an..35	N	Not used
3045	Party name format, coded	C an..3	N	Not used
C059	STREET	C	N	
3042	Street and number/p.o. box	M an..35	N	Not used
3042	Street and number/p.o. box	C an..35	N	Not used
3042	Street and number/p.o. box	C an..35	N	Not used
3042	Street and number/p.o. box	C an..35	N	Not used
3164	City name	C an..35	N	Not used
3229	Country sub-entity identification	C an..9	N	Not used
3251	Postcode identification	C an..9	N	Not used
3207	Country, coded	C an..3	N	Not used

Remark:

Example:

NAD+ST+1012::92+BROSE COBURG'

No = Consecutive segment number

MaxOcc = Maximum occurrence of the segment/group

St = Status, EDIFACT: M=Mandatory, C=Conditional

User specific: R=Required, O=Optional, D=Dependent, A=Advised, N=Not used

Segments

No	Tag	St	MaxOcc	Level	Name
	SG28	R	200000	1	LIN-PIA-IMD-QTY-MOA-FTX-SG32-SG33-SG39-SG53
	SG39	C	999	2	NAD-SG42
	SG42	R	5	3	CTA-COM
24	CTA	M	1	3	CONTACT INFORMATION

		Standard	Implementation	
Tag	Name	St Format	St Format	Usage / Remark
CTA				
3139	Contact function, coded	C an..3	C an..3	IC; Information Contact
C056	DEPARTMENT OR EMPLOYEE DETAILS	C	C	
3413	Department or employee identification	C an..17	C an..17	
3412	Department or employee	C an..35	N	Not used

Remark:

Example:

CTA+IC+NAME, VORNAME '

No = Consecutive segment number
 MaxOcc = Maximum occurrence of the segment/group
 St = Status, EDIFACT: M=Mandatory, C=Conditional
 User specific: R=Required, O=Optional, D=Dependent, A=Advised, N=Not used

Segments

No	Tag	St	MaxOcc	Level	Name
	SG28	R	200000	1	LIN-PIA-IMD-QTY-MOA-FTX-SG32-SG33-SG39-SG53
	SG39	C	999	2	NAD-SG42
	SG42	R	5	3	CTA-COM
25	COM	R	5	4	COMMUNICATION CONTACT

		Standard	Implementation	
Tag	Name	St Format	St Format	Usage / Remark
COM				
C076	COMMUNICATION CONTACT	M	M	
3148	Communication number	M an..512	M an..512	
3155	Communication channel qualifier	M an..3	M an..3	TE; Telephone FX; Telefax EM; E-Mail

Remark:

Example:

COM+01234 / 1234:TE'

No = Consecutive segment number
 MaxOcc = Maximum occurrence of the segment/group
 St = Status, EDIFACT: M=Mandatory, C=Conditional
 User specific: R=Required, O=Optional, D=Dependent, A=Advised, N=Not used

Segments

No	Tag	St	MaxOcc	Level	Name
	SG28	R	200000	1	LIN-PIA-IMD-QTY-MOA-FTX-SG32-SG33-SG39-SG53
	SG53	R	100	2	SCC-SG54
26	SCC	M	1	2	SCHEDULING CONDITIONS

Standard			Implementation	
Tag	Name	St Format	St Format	Usage / Remark
SCC				
4017	Delivery plan status indicator, coded	M an..3	M an..3	1; Firm
4493	Delivery requirements, coded	C an..3	N	Not used
C329	PATTERN DESCRIPTION	C	N	
2013	Frequency, coded	C an..3	N	Not used
2015	Despatch pattern, coded	C an..3	N	Not used
2017	Despatch pattern timing, coded	C an..3	N	Not used

Remark:

Example:

SCC+1'

No = Consecutive segment number
 MaxOcc = Maximum occurrence of the segment/group
 St = Status, EDIFACT: M=Mandatory, C=Conditional
 User specific: R=Required, O=Optional, D=Dependent, A=Advised, N=Not used

Segments

No	Tag	St	MaxOcc	Level	Name
	SG28	R	200000	1	LIN-PIA-IMD-QTY-MOA-FTX-SG32-SG33-SG39-SG53
	SG53	R	100	2	SCC-SG54
	SG54	C	10	3	QTY-DTM
27	QTY	R	1	3	QUANTITY

Standard			Implementation	
Tag	Name	St Format	St Format	Usage / Remark
QTY				
C186	QUANTITY DETAILS	M	R	
6063	Quantity qualifier	M an..3	M an..3	21; Ordered quantity
6060	Quantity	M n..15	M n..15	
6411	Measure unit qualifier	C an..3	R an..3	Further codes can be found in the EDIFACT code list BG; Bag BX; Box C62; One EA; Each LE; Service unit MTR; Meter PAK; Pack PCE; Piece SET; Set

Remark:

Example:

QTY+21:10:PCE'

No = Consecutive segment number
 MaxOcc = Maximum occurrence of the segment/group
 St = Status, EDIFACT: M=Mandatory, C=Conditional
 User specific: R=Required, O=Optional, D=Dependent, A=Advised, N=Not used

Segments

No	Tag	St	MaxOcc	Level	Name
	SG28	R	200000	1	LIN-PIA-IMD-QTY-MOA-FTX-SG32-SG33-SG39-SG53
	SG53	R	100	2	SCC-SG54
	SG54	C	10	3	QTY-DTM
28	DTM	R	5	4	DATE/TIME/PERIOD

		Standard	Implementation	
Tag	Name	St Format	St Format	Usage / Remark
DTM				
C507	DATE/TIME/PERIOD	M	M	
2005	Date/time/period qualifier	M an..3	M an..3	2; Delivery date/time, requested
2380	Date/time/period	C an..35	R an..35	
2379	Date/time/period format qualifier	C an..3	R an..3	102; CCYYMMDD

Remark:

Example:

DTM+2:20050926:102'

No = Consecutive segment number
 MaxOcc = Maximum occurrence of the segment/group
 St = Status, EDIFACT: M=Mandatory, C=Conditional
 User specific: R=Required, O=Optional, D=Dependent, A=Advised, N=Not used

Segments

No	Tag	St	MaxOcc	Level	Name
29	UNS	M	1	0	SECTION CONTROL

Standard			Implementation	
Tag	Name	St Format	St Format	Usage / Remark
UNS				
0081	Section identification	M a1	M a1	S ; Detail/summary section separation

Remark:

Example:

UNS+S'

No = Consecutive segment number

MaxOcc = Maximum occurrence of the segment/group

St = Status, EDIFACT: M=Mandatory, C=Conditional

User specific: R=Required, O=Optional, D=Dependent, A=Advised, N=Not used

Segments

No	Tag	St	MaxOcc	Level	Name
30	MOA	C	12	1	MONETARY AMOUNT

		Standard	Implementation		
Tag	Name	St Format	St Format	Usage / Remark	
MOA					
C516	MONETARY AMOUNT	M	M		
5025	Monetary amount type qualifier	M an..3	M an..3	79; Total line items amount	
5004	Monetary amount	C n..18	C n..18		
6345	Currency, coded	C an..3	N	Not used	
6343	Currency qualifier	C an..3	N	Not used	
4405	Status, coded	C an..3	N	Not used	

Remark:

Example:

MOA+79:72.28'

No = Consecutive segment number
 MaxOcc = Maximum occurrence of the segment/group
 St = Status, EDIFACT: M=Mandatory, C=Conditional
 User specific: R=Required, O=Optional, D=Dependent, A=Advised, N=Not used

Segments

No	Tag	St	MaxOcc	Level	Name
31	UNT	M	1	0	MESSAGE TRAILER

		Standard	Implementation	
Tag	Name	St Format	St Format	Usage / Remark
UNT				
0074	Number of segments in a message	M n..6	M n..6	
0062	Message reference number	M an..14	M an..14	

Remark:

Example:
UNT+32+1'

No = Consecutive segment number
 MaxOcc = Maximum occurrence of the segment/group
 St = Status, EDIFACT: M=Mandatory, C=Conditional
 User specific: R=Required, O=Optional, D=Dependent, A=Advised, N=Not used

Segments

No	Tag	St	MaxOcc	Level	Name
32	UNZ	M	1	0	INTERCHANGE TRAILER

Standard			Implementation	
Tag	Name	St Format	St Format	Usage / Remark
UNZ				
0036	Interchange control count	M n..6	M n..6	
0020	Interchange control reference	M an..14	M an..14	

Remark:

Example:

UNZ+1+000000001'

No = Consecutive segment number
 MaxOcc = Maximum occurrence of the segment/group
 St = Status, EDIFACT: M=Mandatory, C=Conditional
 User specific: R=Required, O=Optional, D=Dependent, A=Advised, N=Not used