

Message Implementation Guideline

## **Brose VDA4913**

based on

### **VDA4913**

Delivery Note Data and Shipment Data

### **VDA 4913**

Date: 2021-07-28

Author: Brose

Change Log .....	2
Message structure.....	3
Branching diagram .....	4
Segments.....	5

---

## Change History

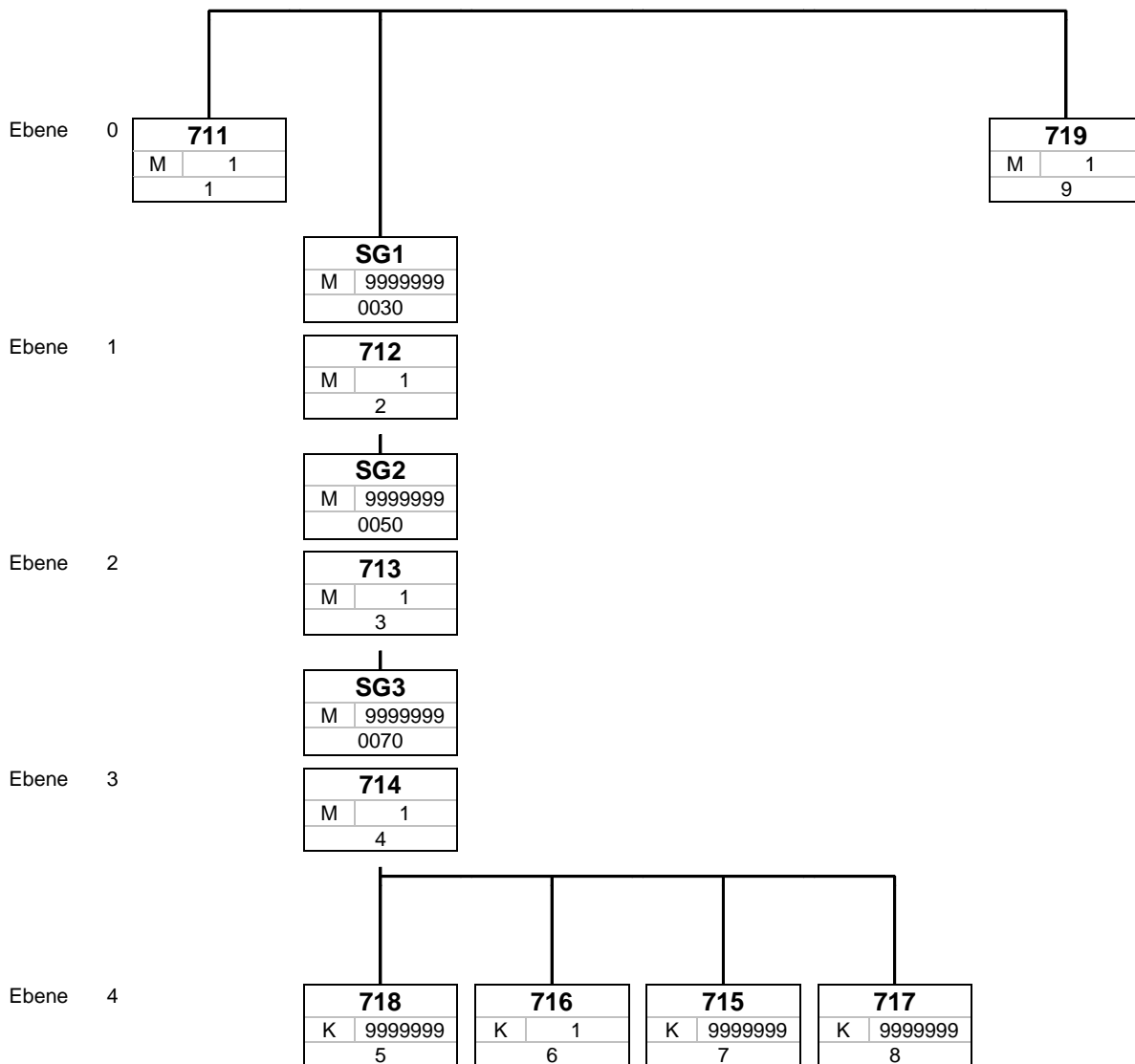
Date	Change	Segment group	Segment	Data element
2021-07-28	Status changed from K to R	SG1	712_18; 03	Required Arrival Date

## Structure / Table of Contents

No	Tag	St	MaxOcc	Level	Content
1	711	M	1	0	Previous Record Delivery Note Data and Shipment Data
	<b>SG1</b>	M	9999999	1	Angaben zum Transport
2	712	M	1	1	One-Time Data of Transport
	<b>SG2</b>	M	9999999	2	Angaben zum Lieferschein
3	713	M	1	2	One-Time Data of Delivery Note (Header Data)
	<b>SG3</b>	M	9999999	3	Lieferschein-Positionsdaten
4	714	M	1	3	Delivery Note Item Data
5	718	K	9999999	4	Manufacturing Reference Number Data
6	716	K	1	4	Text Data for Item
7	715	K	9999999	4	Packaging Material Data
8	717	K	9999999	4	Individual Package Data
9	719	M	1	0	Subsequent Record Delivery Note and Shipment Data

No = Consecutive segment number, MaxOcc = Maximum occurrence of the segment/group  
 St = Status, M=Muss/ Mandatory, K=Kann/ Conditional, Anwendung/ User specific: R=Erforderlich/ Required

**Branching Diagram of Used Segments/Groups**



Bez
St MaxWdh
Nr

Tag = Segment/Group Tag  
 St = Status, M=Muss/ Mandatory, K=Kann/ Conditional, Anwendung/ User specific: R=Erforderlich/ Required  
 MaxOcc = Maximum occurrence of the segment/group  
 No = Consecutive segment number

## Segments

No	Tag	St	MaxOcc	Level	Name
----	-----	----	--------	-------	------

1	<b>711</b>	M	1	0	Previous Record Delivery Note Data and Shipment Data
---	------------	---	---	---	--

Standard			Implementation	
Tag	Name	St Format	St Format	Usage / Remark
711_01	Record Type	M N3	M N3	<b>Deliberate delivery note and transport data</b>
711_02	Version Number	M N2	M N2	Identification actuality of record type. For each type of record, it is kept in ascending order and increased by 1 after each change of a record type decided by the VDA-AK "Preprinting / Data Exchange". <b>03 Version 03</b>
711_03	Data Receiver	M A9	M A9	Ident number sender has agreed with receiver. Brose: Customer number can be given to each Brose plant / supplier number.
711_04	Data Sender Number	M A9	M A9	Ident number sender has agreed with receiver. Brose: Vendor number for the supplier (LF). Value from VDA4905, 511 04 (supplier number).
711_05	Old (Previous) Transmission Number	M N5	M N5	Description see transfer number new. For first transmission, transmission number old = 00000. Right-justified entry, with leading zeros.
711_06	New Transmission Number	M N5	M N5	Creator assigns (within) an application (e.g., delivery schedule EDI, billing EDI, etc.) for each EDI creation run a new transfer number. The value "00000" must not be used. Creators and recipients keep this number until the next transfer of the same application. Since the creator also specifies the previous EDI creation run within this application for new transfer number, the recipient can check the completeness of the EDI stocks per application. Therefore, no continuous and ascending number sequence is required. Right-aligned entry with leading zeros. Examples of entries in the two transmission numbers: Operation number old number new Start 00000 00001 or 00000 00017 Routine 00019 00020 or 88051 88061 Overflow 99999 00001 or 89361 00011 Brose: It will always be transmitted without interruption rising transmission numbers.
711_07	Transmission Date	M N6	M N6	In form: YYMMDD
711_08	Subsupplier Number	K A9	K A9	Ident number customer assigns to the subcontractor.
711_09	Carrier Number	K A9	K A9	Forwarding data recipient number of message VDA 4920. If applicable, content will generally be the same as the field content in record type 712, item 13.
711_10	Stockist Code	K A1	K A1	<b>DFÜ erstellt durch Lieferant</b> <b>1 EDI Created by ESP</b> <b>S Express Shipment Delivery</b>
711_11	Delivery Identification	K A1	K A1	<b>Standard</b> <b>E Express Delivery</b> <b>J JIT Delivery</b>
711_12	Empty	K A69	K A69	filled with BLANKS

**Remark:**

**Example:**

7110312400108 1002134 0002600027050308 0000300071

No = Consecutive segment number

MaxOcc = Maximum occurrence of the segment/group

St = Status, M=Muss/ Mandatory, K=Kann/ Conditional, Anwendung/ User specific: R=Erforderlich/ Required

## Segments

No	Tag	St	MaxOcc	Level	Name
	<b>SG1</b>	M	9999999	1	<b>Angaben zum Transport</b>
2	<b>712</b>	M	1	1	<b>One-Time Data of Transport</b>

Standard			Implementation	
Tag	Name	St Format	St Format	Usage / Remark
712_01	Record Type	M N3	M N3	<b>Unique transport data</b>
712_02	Version Number	M N2	M N2	Identification actuality of record type, see also record type 711  <b>03 Version 03</b>
712_03	Shipment Load Reference Number	M N8	M N8	Reference number assigned by consignor of the consignment / load; Right-justified entry with leading zeros. Repetition of number is not allowed within one year.
712_04	Supplier Plant	K A3	K A3	Plant of supplier from which is delivered. Encrypted form of supplier.
712_05	Carrier	M A14	M A14	Name and / or number of the party performing the transport, similar to TDED 3126.
712_06	Carrier Date of Transfer	M N6	M N6	Date of delivery of consignment to the carrier / forwarder. Form: YYMMDD
712_07	Carrier Time of Transfer	M N4	M N4	Time of delivery of consignment to the carrier / forwarder. Shape: HHMM
712_08	Shipment Gross Weight	M N7	M N7	Weight of goods including packaging and / or loading equipment, but excluding the containers of the carrier (details from consignment note), similar to TDED 6292; Unit of measure = kg, right-justified entry with leading zeros, no decimal place. The field content must match the weight specified in the bill of lading.
712_09	Shipment Net Weight	K N7	M N7	Weight of goods, including packaging without loading equipment, and the containers of the carrier, similar to TDED 6110; Unit of measure = kg, right-justified entry with leading zeros, no decimal place.
712_10	Prepayment of Charges Key	K N2	K N2	Indicates who has to bear freight costs to what extent.  <b>01 Not Free</b> <b>02 Free Place of Destination</b> <b>03 Free Domicile</b> <b>04 Free German Border</b> <b>05 Free Receiving Forwarding Agent</b> <b>99 Special Prepayment of Charges (Individual Agreement)</b>
712_11	Carrier Transmission Indicator	K A1	K A1	Encrypted form <b>1 Transport-DFÜ nach VDA 4920 an Spediteur erfolgt. In diesem Fall muß Frachtführer-Nummer (Satzart 711, Pos. 09) ausgefüllt sein.</b>
712_12	Number of Packages	K N4	K N4	Sum of all packages contained in the consignment, which are handled. Example: 1 load unit = 1 package Right-justified entry with leading zeros, no decimal place.
712_13	Transport Partner Number	K A14	K A14	Ident number (up to 9 digits) of assigned forwarder / private parcel service, which is specified by customer. If not from customer prescribed transport company procures the transport, name is entered here.
712_14	Key to Means of Transport	M N2	M N2	<b>01 License Plate Number</b> <b>02 Bordereau Number</b> <b>06 General Cargo Number</b> <b>07 Express Shipment Number</b> <b>08 Railcar Number</b> <b>09 Postal Package Number</b>

No = Consecutive segment number

MaxOcc = Maximum occurrence of the segment/group

St = Status, M=Muss/ Mandatory, K=Kann/ Conditional, Anwendung/ User specific: R=Erforderlich/ Required

## Segments

		Standard	Implementation	
Tag	Name	St Format	St Format	Usage / Remark
				<b>10 Flight Number and/or Air Waybill No.</b> <b>11 Ship Name</b>
712_15	Means of Transport Number	M A25	M A25	Specification of detailed name or number for transport vehicle or the Bordero number mentioned in the previous field. If transport vehicle 01 Car License Plate is used the license plate number of the truck and / or trailer / semi-trailer or swap body number must be indicated. Several license plates are separated by 1 blank. If the T-key 02 is used for BORDERO NUMBER, the vehicle registration number can be entered in field 17 (identifier in field 16 is = 2).
712_16	Key to 712_17	K A1	K A1	<b>1 Postal Code</b> <b>2 License Plate of Transport Vehicle</b>
712_17	Content According to Key in 712_16	K A8	K A8	see description field 16.
712_18	Required Arrival Date	K N6	R N6	Customer specified date when shipment should arrive at him. Form: YYMMDD
712_19	Required Arrival Time	K N4	K N4	Time specified by customer when shipment should arrive at him. Shape: HHMM
712_20	Loading Meters	K N2,1	K N2,1	Indication of the occupied meters of the loading area, 1 decimal place.
712_21	Truck Type Code	K N1	K N1	<b>1 Standard Truck with/Without Trailer</b> <b>2 Semitrailer</b> <b>3 Large Capacity Truck with/Without Trailer (Jumbo)</b> <b>4 Large Capacity Semitrailer (Jumbo)</b>
712_22	Empty	K A3	K A3	filled with BLANKS.

**Remark:**

**Example:**

7120300490612148SCHENKER 1 05030815420000055000005101 00041002134 1 01R-HZ-16

No = Consecutive segment number

MaxOcc = Maximum occurrence of the segment/group

St = Status, M=Muss/ Mandatory, K=Kann/ Conditional, Anwendung/ User specific: R=Erforderlich/ Required

## Segments

No	Tag	St	MaxOcc	Level	Name
	<b>SG1</b>	M	9999999	1	Angaben zum Transport
	<b>SG2</b>	M	9999999	2	Angaben zum Lieferschein
3	<b>713</b>	M	1	2	One-Time Data of Delivery Note (Header Data)

Standard			Implementation		
Tag	Name	St Format	St Format	Usage / Remark	
713_01	Record Type	M N3	M N3	<b>Unique delivery note data (header)</b>	
713_02	Version Number	M N2	M N2	<b>03 Version 03</b> Identification actuality of record type	
713_03	Delivery Note Number	M N8	M N8	Ident number supplier assigns to a delivery note, right-aligned entry with leading zeros. May not be repeated within a year. EDL usage: - Operation key 30 (input message): Number of supplier. - Transaction key 32 (transport damage / loss / difference): Number of supplier if clear assignment possible. - Operation key 33 (return delivery): Number of supplier. - Transaction Key 35 (Inventory Messages): Entry = "00000000". - Transaction Key 36 (Outbound Notification): Number of EDL to customer. Delivery note numbers must be agreed with the supplier. Number assigned here is basis for billing and coordination between supplier - customer. - Transaction key 40 (delivery notification): Number of supplier (supplier EDL) or number of EDL (EDL customer, see also process 36).	
713_04	Shipping Date	M N6	M N6	Form: YYMMDD EDL usage: Date of relevant operation (outgoing, incoming or existing date).	
713_05	Unloading Point	M A5	M A5	Describes the position in customer plant, where the goods should be unloaded. Encrypted form of customer. Brose: Unloading point from delivery schedule (pos. 10).	
713_06	Shipping Type	M N2	M N2	<b>01 Truck (Subsupplier)</b> <b>02 Truck Customer</b> <b>03 Truck Logistics Provider</b> <b>04 Truck Rail</b> <b>05 Truck Own (Supplier)</b> <b>06 Rail Freight</b> <b>07 Rail Express</b> <b>08 Rail Car</b> <b>09 Mail</b> <b>10 Air Cargo</b> <b>11 Sea Cargo</b> <b>20 Private Parcel Service</b>	
713_07	Customer Reference (CO)	K A4	K A4	From delivery schedule. Brose: 3-digit code of the MRP controller from material master plant	
713_08	Order / Contract Number	K A12	K A12	Ident number customer assigns to a contract agreement or an order. Mandatory field, if sent in delivery call or inquire call. Brose: Delivery schedule number	
713_09	Transaction Key	K N2	K N2	Only with EDL usage <b>bei direktem Datenaustausch zwischen Lieferant und Kunde</b> <b>30 Receiving Report from ESP to Supplier</b> <b>32 Shipment Damage / Loss / Difference from ESP to Supplier</b>	

No = Consecutive segment number  
 MaxOcc = Maximum occurrence of the segment/group  
 St = Status, M=Muss/ Mandatory, K=Kann/ Conditional, Anwendung/ User specific: R=Erforderlich/ Required



## Segments

		Standard	Implementation	
Tag	Name	St Format	St Format	Usage / Remark
				<b>33 Return Delivery from ESP to Supplier</b> <b>35 Stock from ESP to Supplier or Customer</b> <b>36 Departure Notification from ESP to Supplier</b> <b>40 Inbound Delivery Notification</b> - supplier to EDL - EDL to customer filled with BLANKS.
713_10	Empty 1	K A4	K A4	filled with BLANKS.
713_11	Customer Plant	M A3	M A3	Customer plant to be delivered to. Encrypted form of the customer. Brose: Position 2-4 of Brose plant number.
713_12	Consignment Reference	K N8	K N8	Reference specification of consignment delivery note number of customer. Right-aligned entry with leading zeros.
713_13	Goods Receiver Number	K A9	K A9	Ident number customer assigns to a consignee whose shipping address differs from that of the customer.
713_14	Empty 2	K A1	K A1	filled with BLANKS.
713_15	Customer's Storage Location	K A7	N	Can be customized by the customer; left-aligned entry. Brose: not used Not used
713_16	Supplier ID	M A9	M A9	Only with EDL usage. Ident number assigned by customer to a supplier; left-aligned entry.
713_17	Point of Use	K A14	N	Describes the place in the customer's factory where the goods are consumed; alphanumeric without intermediate blanks; left-aligned entry. Brose: not used Not used
713_18	Call-Off No.	K A4	K A4	Call number for individual orders; left-aligned entry.
713_19	Customer Reference	K A6	K A6	Information from individual order.
713_20	Document Number Customer	K A14	K A14	Document number given by customer for this delivery. Corresponds to the delivery note number of supplier.
713_21	Empty 3	K A5	K A5	filled with BLANKS.

**Remark:**

**Example:**

7130300967740050310MEXXX01500 5500005179                      02000000000040001897x                      xxxxxxxxx

No = Consecutive segment number

MaxOcc = Maximum occurrence of the segment/group

St = Status, M=Muss/ Mandatory, K=Kann/ Conditional, Anwendung/ User specific: R=Erforderlich/ Required

## Segments

No	Tag	St	MaxOcc	Level	Name
	<b>SG1</b>	M	9999999	1	Angaben zum Transport
	<b>SG2</b>	M	9999999	2	Angaben zum Lieferschein
	<b>SG3</b>	M	9999999	3	Lieferschein-Positionsdaten
4	<b>714</b>	M	1	3	Delivery Note Item Data

Standard			Implementation	
Tag	Name	St Format	St Format	Usage / Remark
714_01	Record Type	M N3	M N3	<b>Delivery note item data</b>
714_02	Version Number	M N2	M N2	<b>03 Version 03</b> Identification actuality of record type
714_03	Customer's Article Code	M A22	M A22	Ident number customer assigns to an item or other service. Brose: 10-digit Brose-number in form XXXXXX-XXX
714_04	Supplier's Article Code	M A22	M A22	Ident number supplier assigns to an item or other service.
714_05	Country of Origin	M N3	M N3	Encrypted form: Summary: <b>001 France</b> <b>003 Netherlands</b> <b>004 Germany</b> <b>005 Italy</b> <b>006 United Kingdom</b> <b>007 Ireland</b> <b>008 Denmark</b> <b>010 Portugal</b> <b>011 Spain</b> <b>030 Sweden</b> <b>038 Austria</b> <b>064 Hungary</b> <b>400 United States</b> <b>404 Canada</b> <b>432 Nicaragua</b> <b>999 andere Länder</b>
714_06	Delivery Quantity 1	M N10,3	M N10,3	Delivery quantity in the quantity unit of the delivery schedule, right-aligned with leading zeros, 3 decimal places.
714_07	Measure Unit Code 1	M A2	M A2	From the large number of user-defined quantity and measurement units in connection with the delivery call-off procedure for the interface between customer and supplier, only a targeted selection is possible in order to be able to dimension the demand quantities for the production material: Encrypted form: <b>ST Piece</b> <b>M Meters</b> <b>M2 Square Meters</b> <b>M3 Cubic Meters</b> <b>L Liters</b> <b>T Ton</b> <b>KG Kilograms</b> <b>KM Kilometers</b>  All packaging-oriented measurement units (e.g., dozen, gros, pack, bag, box, sack, etc.) are not permitted. Conversion - possibly with the assignment of a new item number - to the permitted measurement units is required, whereby the packaging-oriented measurement unit can be specified in the name of the delivery or service if required.
714_08	Delivery Quantity 2	K N10,3	K N10,3	Delivery quantity in the unit of quantity of the supplier, right aligned with leading zeros, 3 decimal places.

No = Consecutive segment number

MaxOcc = Maximum occurrence of the segment/group

St = Status, M=Muss/ Mandatory, K=Kann/ Conditional, Anwendung/ User specific: R=Erforderlich/ Required

### Segments

		Standard	Implementation	
Tag	Name	St Format	St Format	Usage / Remark
714_09	Measure Unit Code 2	K A2	K A2	see description SA 714 pos. 07
714_10	VAT Rate	K N2,1	K N2,1	Use by agreement for self/billing invoices; Right-justified entry with leading zeros, 1 decimal place (2,1). filled with BLANKS.
714_11	Empty 1	K A1	K A1	
714_12	Delivery Note Line Item Number	M N3	M N3	Position of a delivery note, right-aligned entry with leading zeros; no decimal places. Permitted value range 001-999. For a delivery note item (record type 714), all packaging information (record type 715) must be transferred below. The filling quantity information in record type 715 must match the quantity specified in the delivery note item in case of a multiplication / addition.
714_13	Type of Call-Off	K A1	K A1	With "P", record type 718 assigned production numbers must be transferred. <b>normale Lieferung</b> <b>F JIT Delivery Schedule</b> <b>P Call-Off in Sync with Production</b>
714_14	Batch Number	K A15	K A15	Ident number supplier assigns to a charge. (max. 10 characters)
714_15	Usage Key	K A1	K A1	Encrypted form as follows: <b>ohne Angaben</b> <b>E General Replacement</b> <b>M Initial Sample</b> <b>P Pilot</b> <b>S General Series</b> <b>U Series and Replacement</b> <b>V Attempt</b> <b>X Miscellaneous</b> <b>Y Pattern</b> <b>Z Additional Requirement</b>
714_16	Dangerous Goods Code	K A8	N	Information of regulation on transport of dangerous substances (GGVS). Position 107-110 = class Position 111-112 = digit Position 113-114 = letter Brose: not used Not used
714_17	Preference Status	M A1	M A1	<b>C Switzerland</b> <b>F Finland</b> <b>G Of EU origin</b> <b>I Iceland</b> <b>N Norway</b> <b>O Austria</b> <b>S Sweden</b> <b>W Goods of EC origin</b> <b>X Not yet checked, not originating goods</b>
714_18	Dutiable Goods	K A1	K A1	Encrypted form: <b>Kein Zollgut</b> <b>1 Dutiable Goods</b>
714_19	Empty 2	K A1	K A1	filled with BLANKS.
714_20	Inventory Status	K A1	K A1	Only with EDL application process 35. Encrypted form: <b>frei</b> <b>1 Blocked, Transfer per Status</b>
714_21	Modified Version Code	M A2	M A2	Encrypted form: 1. position <b>ohne Angaben</b> <b>G Erste Regelanlieferung von geändertem Teil. Einmalige Übertragung.</b> 2. position <b>ohne Angaben</b>

No = Consecutive segment number

MaxOcc = Maximum occurrence of the segment/group

St = Status, M=Muss/ Mandatory, K=Kann/ Conditional, Anwendung/ User specific: R=Erforderlich/ Required

## Segments

		Standard	Implementation	
Tag	Name	St Format	St Format	Usage / Remark
				<b>T Es muß in der Satzart 716, Pos. 03, der Konstruktions-Änderungsstand übertragen werden.</b>
714_22	Original Delivery Note Number	K A8	K A8	Only with EDL application process 36. Reference for origin delivery note number of supplier.

**Remark:**

**Example:**

```

71403990869-102      5WK43300      0010000002400000ST0000002400000ST      010
   S           G   G
    
```

No = Consecutive segment number

MaxOcc = Maximum occurrence of the segment/group

St = Status, M=Muss/ Mandatory, K=Kann/ Conditional, Anwendung/ User specific: R=Erforderlich/ Required

## Segments

No	Tag	St	MaxOcc	Level	Name
	<b>SG1</b>	M	9999999	1	Angaben zum Transport
	<b>SG2</b>	M	9999999	2	Angaben zum Lieferschein
	<b>SG3</b>	M	9999999	3	Lieferschein-Positionsdaten
5	<b>718</b>	K	9999999	4	Manufacturing Reference Number Data

		Standard	Implementation	
Tag	Name	St Format	St Format	Usage / Remark
718_01	Record Type	M N3	M N3	<b>production numbers</b>
718_02	Version Number	M N2	M N2	<b>02 Version 02</b> Identification actuality of record type
718_03	Delivery Note Number	M N8	M N8	Ident number supplier assigns to a delivery note. Right-aligned entry with leading zeros.
718_04	Manufacturing Reference Number 1	M A10	M A10	Product number table. If this record type is used, at least the first table field must be filled. Production-related identification number of end product at customer, to which a purchased parts unit is delivered. Left-justified entry. <b>production number 1</b>
718_05	Manufacturing Reference Number 2	K A10	K A10	<b>production number 2</b>
718_06	Manufacturing Reference Number 3	K A10	K A10	<b>production number 3</b>
718_07	Manufacturing Reference Number 4	K A10	K A10	<b>production number 4</b>
718_08	Manufacturing Reference Number 5	K A10	K A10	<b>production number 5</b>
718_09	Manufacturing Reference Number 6	K A10	K A10	<b>production number 6</b>
718_10	Manufacturing Reference Number 7	K A10	K A10	<b>production number 7</b>
718_11	Manufacturing Reference Number 8	K A10	K A10	<b>production number 8</b>
718_12	Manufacturing Reference Number 9	K A10	K A10	<b>production number 9</b>
718_13	Manufacturing Reference Number 10	K A10	K A10	<b>production number 2</b>
718_14	Manufacturing Reference Number 11	K A10	K A10	<b>production number 10</b>
718_15	Empty	K A5	K A5	filled with BLANKS.

**Remark:**

**Example:**

7180299999999XXXXXXXXXX

No = Consecutive segment number

MaxOcc = Maximum occurrence of the segment/group

St = Status, M=Muss/ Mandatory, K=Kann/ Conditional, Anwendung/ User specific: R=Erforderlich/ Required

## Segments

No	Tag	St	MaxOcc	Level	Name
	<b>SG1</b>	M	9999999	1	Angaben zum Transport
	<b>SG2</b>	M	9999999	2	Angaben zum Lieferschein
	<b>SG3</b>	M	9999999	3	Lieferschein-Positionsdaten
6	<b>716</b>	K	1	4	Text Data for Item

Standard			Implementation	
Tag	Name	St Format	St Format	Usage / Remark
716_01	Record Type	M N3	M N3	<b>Text data to position</b>
716_02	Version Number	M N2	M N2	<b>02 Version 02</b>
716_03	Text 1	M A40	M A40	Identification actuality of record type Text area that can be used to send unformatted information. If a T is entered in record type 714, item 21, the CONSTRUCTION CHANGE LEVEL must be entered here (left-aligned).
716_04	Text 2	K A40	K A40	Text area that can be used to send unformatted information.
716_05	Text 3	K A40	K A40	Text area that can be used to send unformatted information.
716_06	Empty	K A3	K A3	filled with BLANKS.

**Remark:**

**Example:**

71602XX

No = Consecutive segment number

MaxOcc = Maximum occurrence of the segment/group

St = Status, M=Muss/ Mandatory, K=Kann/ Conditional, Anwendung/ User specific: R=Erforderlich/ Required

## Segments

No	Tag	St	MaxOcc	Level	Name
	<b>SG1</b>	M	9999999	1	Angaben zum Transport
	<b>SG2</b>	M	9999999	2	Angaben zum Lieferschein
	<b>SG3</b>	M	9999999	3	Lieferschein-Positionsdaten
7	<b>715</b>	K	9999999	4	Packaging Material Data

Standard			Implementation	
Tag	Name	St Format	St Format	Usage / Remark
715_01	Record Type	M N3	M N3	<b>packaging</b>
715_02	Version Number	M N2	M N2	Identification actuality of record type <b>03 Version 03</b>
715_03	Customer's Package Type ID	M A22	M A22	Ident number customer assigns to a packaging. In case of disposable packaging or rental packaging from third parties, it may be agreed between the partners. This data element specifies the encoding agreed between the partners. Before using the EDI, its use must be agreed between the partners. For disposable and rental packaging (not to be used by the property customer): <b>0000PAL Pallets, not specified in more detail</b> <b>0001PAL Pallet: 120 x 80 cm, built up to a height of 100 cm</b> <b>0002PAL Pallet: 120 x 80 cm, built up to a height of 200 cm</b> <b>0003PAL Pallet: 120 x 100 cm, built up to a height of 100 cm</b> <b>0004PAL Pallet: 120 x 100 cm, built up to a height of 200 cm</b> <b>0005PAL 120 x 100 cm, bis 50 cm Höhe bebaut</b> <b>0006PAL 120 x 100 cm, bis 100 cm Höhe bebaut</b> <b>0007PAL 120 x 100 cm, bis 150 cm Höhe bebaut</b> <b>0008PAL 120 x 100 cm, bis 200 cm Höhe bebaut</b> <b>0001SCH Box, crate, package: dimensions up to 20 x 15 x 10 cm</b> <b>0002SCH Box, crate, package: dimensions up to 30 x 20 x 16 cm</b> <b>0003SCH Box, crate, package: dimensions up to 40 x 30 x 20 cm</b> <b>0004SCH Box, crate, package: dimensions up to 30 x 20 x 26 cm</b> <b>0005SCH Box, crate, package: dimensions up to 60 x 40 x 26 cm</b> <b>0006SCH Box, crate, package: dimensions up to 60 x 40 x 26 cm</b> <b>0007SCH Box, crate, package: dimensions up to 80 x 60 x 40 cm</b> <b>0008SCH Box, crate, package: dimensions up to 120 x 80 x 80 cm</b> <b>0009SCH Abmessung bis 60 x 40 x 28 cm</b> <b>0010SCH Abmessung bis 80 x 60 x 40 cm</b> <b>0011SCH Abmessung bis 98 x 58 x 36 cm</b> <b>0012SCH Abmessung bis 100 x 60 x 73 cm</b> <b>0013SCH Abmessung bis 120 x 78 x 110 cm</b> <b>0014SCH Abmessung bis 120 x 80 x 40 cm</b> <b>0015SCH Abmessung bis 120 x 80 x 90 cm</b>

No = Consecutive segment number

MaxOcc = Maximum occurrence of the segment/group

St = Status, M=Muss/ Mandatory, K=Kann/ Conditional, Anwendung/ User specific: R=Erforderlich/ Required

## Segments

		Standard	Implementation	
Tag	Name	St Format	St Format	Usage / Remark
				<b>0016SCH</b> Abmessung bis 120 x 100 x 90 cm <b>0000SON</b> Other Disposable Packaging, not specified in more detail <b>0001SON</b> Other disposable packaging > 1 cbm, not specified in more detail <b>0002SON</b> Other disposable packaging < 1 cbm, not specified in more detail <b>0000BEH</b> Other Liquid Containers, Barrels, Canisters, Hobbocks, Tank, container, not specified in more detail <b>0000FAS</b> Barrel, not specified in more detail <b>0000SAC</b> Bag, not specified in more detail <b>0000BLE</b> Sheet Metal Bundles, Sheet Metal Coils, not specified in more detail <b>0000BUN</b> Bundles, not specified in more detail
715_04	Supplier's Package Type ID	M A22	M A22	Ident number the supplier assigns to a packaging.
715_05	Number of Packages	M N13	M N13	Number of packaging per type. Right-justified entry with leading zeros, no decimal place.
715_06	Delivery Note Line Item Number	M N3	M N3	Content of field should be position number of record type 714 to which the packaging refers. Right-aligned entry with leading zeros. If the packaging refers to all items of the upstream delivery note number (record type 713), three zeroes must be entered.
715_07	Maximum Quantity	K N10,3	K N10,3	Actual quantity of item number in packaging; right-aligned entry with leading zeros, 3 decimal places. Quantity in the unit of measure acc. record type 714, pos. 07.
715_08	Package Number From	K A9	K A9	Number may not be repeated within one year; left-aligned entry.
715_09	Package Number To	K A9	K A9	As above. If this element is used, the number sequence between PACK PIECE NUMBER and PACKPART NUMBER must numerically be ascending without gaps.
715_10	Package Dimensions	K N12	K N12	Specification in millimeters Position 97 - 100 length 101 - 104 width 105 - 108 height
715_11	Stacking Factor	K N1	K N1	Indication of the permissible stackability of the unit designated in the type of packaging. Encrypted form <b>1 einfach stapelbar</b> <b>2 zweifach stapelbar, usw.</b>
715_12	Warehouse Call-Off Number	K A15	K A15	Only for EDL usage: Number of the warehouse release for the EDL. Feedback by EDL to customers.
715_13	Label Indicator	K A1	K A1	Barcode identification of goods tag (VDA 4902) in the data element PACKAGE NUMBER. Valid entry (see also VDA 4902 description and VDA 4913 description under 2.2.4): <b>M Master Label (with Subpackages and Same Article Codes)</b> <b>S Single Label (1 Package)</b>
715_14	Returnable Package Indicator	K A1	K A1	ID Valid entry: <b>Mehrweg-Verpackung</b> <b>E Disposable Packaging</b> <b>M Reusable Packaging</b>
715_15	Property Code	K A1	K A1	ID Only if reusable packaging is used. Valid entry: <b>undefiniert</b> <b>D Reusable, returnable packaging of customer, must be returned.</b> <b>K Reusable Packaging Property of Customer</b> <b>L Reusable Packaging Property of Supplier,</b>

No = Consecutive segment number

MaxOcc = Maximum occurrence of the segment/group

St = Status, M=Muss/ Mandatory, K=Kann/ Conditional, Anwendung/ User specific: R=Erforderlich/ Required



## Segments

		Standard	Implementation	
Tag	Name	St Format	St Format	Usage / Remark
				<b>Must Be Returned</b>
715_16	Empty	K A1	K A1	filled with BLANKS.

**Remark:**

**Example:**

```

71503304409-000      GP      0000000000004010000000060000001519026501519026800
00000000              S
    
```

No = Consecutive segment number

MaxOcc = Maximum occurrence of the segment/group

St = Status, M=Muss/ Mandatory, K=Kann/ Conditional, Anwendung/ User specific: R=Erforderlich/ Required

## Segments

No	Tag	St	MaxOcc	Level	Name
	<b>SG1</b>	M	9999999	1	Angaben zum Transport
	<b>SG2</b>	M	9999999	2	Angaben zum Lieferschein
	<b>SG3</b>	M	9999999	3	Lieferschein-Positionsdaten
8	<b>717</b>	K	9999999	4	Individual Package Data

Standard			Implementation		
Tag	Name	St Format	St Format	Usage / Remark	
717_01	Record Type	M N3	M N3	Not used by Brose. Note: The record type 717 is a can-record type. It is required if inventory management is carried out on package or coil level. Then a sentence has to be sent per single package or coil number.	
717_02	Version Number	M N2	M N2	<b>01 Version 01</b> Identification actuality of record type	
717_03	Individual Package Number	M A15	M A15		
717_04	Delivery Quantity 1	M N10,3	M N10,3	Delivery quantity in the unit of quantity of the supplier, referred to the smallest unit, right-aligned with leading zeros, 3 decimal places.	
717_05	Measure Unit Code 1	M A2	M A2	Left-justified entry. From the large number of user-defined quantity and measurement units in connection with the delivery call-off procedure for the interface between customer and supplier, only a targeted selection is possible in order to be able to dimension the demand quantities for the production material: Encrypted form: <b>ST Piece</b> <b>M Meters</b> <b>M2 Square Meters</b> <b>M3 Cubic Meters</b> <b>L Liters</b> <b>T Ton</b> <b>KG Kilograms</b> <b>KM Kilometers</b> All packaging-oriented measurement units (e.g., dozen, gros, pack, bag, box, sack, etc.) are not permitted. Conversion - possibly with the assignment of a new item number - to the permitted measurement units is required, whereby the packaging-oriented measurement units can be specified in the name of the delivery or service if required.	
717_06	Delivery Quantity 2	K N10,3	K N10,3	Delivery quantity in the unit of quantity of the supplier, referred to the smallest unit, right-aligned with leading zeros, 3 decimal places.	
717_07	Measure Unit Code 2	K A2	K A2	From the large number of user-defined quantity and measurement units in connection with the delivery call-off procedure for the interface between customer and supplier, only a targeted selection is possible in order to be able to dimension the demand quantities for the production material: Encrypted form: <b>ST Piece</b> <b>M Meters</b> <b>M2 Square Meters</b> <b>M3 Cubic Meters</b> <b>L Liters</b> <b>T Ton</b>	

No = Consecutive segment number

MaxOcc = Maximum occurrence of the segment/group

St = Status, M=Muss/ Mandatory, K=Kann/ Conditional, Anwendung/ User specific: R=Erforderlich/ Required

## Segments

		Standard	Implementation	
Tag	Name	St Format	St Format	Usage / Remark
				<p><b>KG Kilograms</b> <b>KM Kilometers</b></p> <p>All packaging-oriented measurement units (e.g., dozen, gros, pack, bag, box, sack, etc.) are not permitted. Conversion - possibly with the assignment of a new item number - to the permitted measurement units is required, whereby the packaging-oriented measurement units can be specified in the name of the delivery or service if required.</p>
717_08	Batch Number	K A15	K A15	Ident number supplier assigns to a charge.
717_09	Empty	K A63	K A63	filled with BLANKS.

**Remark:**

**Example:**

71701XXXXXXXXXXXXXXXXX999999999999ST

No = Consecutive segment number

MaxOcc = Maximum occurrence of the segment/group

St = Status, M=Muss/ Mandatory, K=Kann/ Conditional, Anwendung/ User specific: R=Erforderlich/ Required

### Segments

No	Tag	St	MaxOcc	Level	Name
9	<b>719</b>	M	1	0	Subsequent Record Delivery Note and Shipment Data

Standard			Implementation	
Tag	Name	St Format	St Format	Usage / Remark
719_01	Record Type	M N3	M N3	<b>Postscript delivery note and transport data</b>
719_02	Version Number	M N2	M N2	Identification actuality of record type <b>02 Version 02</b>
719_03	Record Type Counter 711	M N7	M N7	Number of transferred record types 711
719_04	Record Type Counter 712	M N7	M N7	Number of transferred record types 712
719_05	Record Type Counter 713	M N7	M N7	Number of transferred record types 713
719_06	Record Type Counter 714	M N7	M N7	Number of transferred record types 714
719_07	Record Type Counter 715	M N7	M N7	Number of transferred record types 715
719_08	Record Type Counter 716	M N7	M N7	Number of transferred record types 716
719_09	Record Type Counter 718	M N7	M N7	Number of transferred record types 718
719_10	Record Type Counter 719	M N7	M N7	Number of transferred record types 719
719_11	Record Type Counter 717	M N7	M N7	Number of transferred record types 717
719_12	Empty	K A60	K A60	filled with BLANKS.

**Remark:**

**Example:**

71902000000100000010000001000000100000010000000000000000000000000010000000

No = Consecutive segment number

MaxOcc = Maximum occurrence of the segment/group

St = Status, M=Muss/ Mandatory, K=Kann/ Conditional, Anwendung/ User specific: R=Erforderlich/ Required